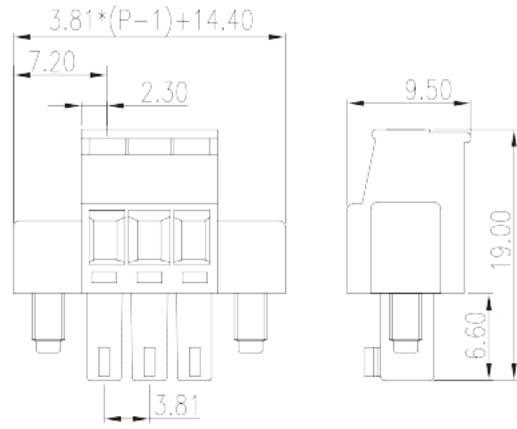
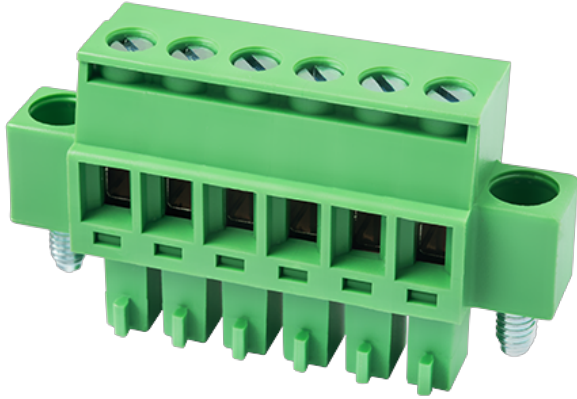


EC381RM-XXP

PCB > PCB -

:2026-07-04 :1.1



Pitch : 3.81 mm, 300V, 8A

	PCB Connector – Plug, Screw Connection
	PCB Connector – Plug
(mm)	3.81
	Green (default)
	Screw Connection
	With screw flange
(mm)	$3.81 * (P - 1) + 14.40$
(mm)	9.5
(mm)	19
()	02P~20P
	Single level
	PA
	I
UL 94	V0
	500M at DC 500V
	COPPER ALLOY



Tin PLATED

-IEC

(V)	320
(A)	14
(II/2)(V)	320
(III/2)(V)	160
(III/3)(V)	160
(II/2)(KV)	2.5
(III/2)(KV)	2.5
(III/3)(KV)	2.5
(mm ²)	0.2
(mm ²)	1.5
(mm ²)	0.2
(mm ²)	1.5
(mm ²) , ,	0.25
(mm ²) , ,	0.75
(mm ²) , ,	0.25
(mm ²) , ,	0.5
2 (mm ²)	0.2
2 (mm ²)	0.75
2 (mm ²)	0.2
2 (mm ²)	0.75
(mm ²) ² , ,	0.5
(mm ²) ² , ,	0.5
2 (mm ²) , ,	0.5
2 (mm ²) , ,	0.5
	M2
Width)(mm) (Blade thickness x	0.4x2.5
Philips	PH0

(N.m)	0.2
	7~8

-UL

(UL/CUL Group B)(V)	300
(UL/CUL Group B)(A)	8
(UL/CUL Group D)(V)	300
(UL/CUL Group D)(A)	8
UL/CUL AWG	28
UL/CUL AWG	14
UL/CUL AWG	28
UL/CUL AWG	14

&

가 (YES or NO)	YES
	120
	-40

UL

(Group B)(AWG)	28~14
(Group B)(V)	300
(Group B)(A)	8
(Group D)(AWG)	28~14
(Group D)(V)	300
(Group D)(A)	8

CUL

(Group B)(AWG)	28~14
(Group B)(V)	300
(Group B)(A)	8
(Group D)(AWG)	28~14
(Group D)(V)	300
(Group D)(A)	8

VDE

--	--

(mm ²)	0.2~1.5
(V)	320
(A)	14

