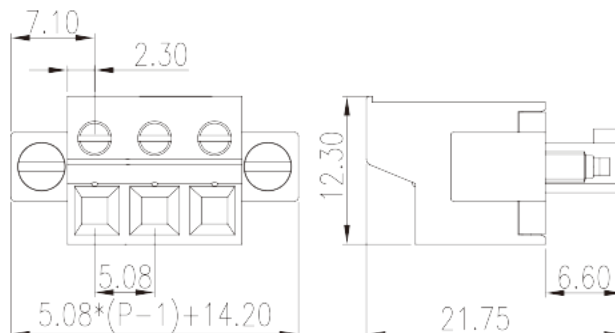
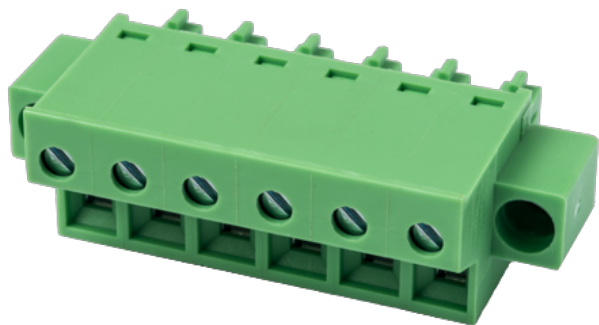


EC508FM-XXP

PCB > PCB -

:2025-08-10 :1.1



Pitch : 5.08 mm, 300V, 12A

	PCB Connector – Plug, Front screw Connection
	PCB Connector – Plug
(mm)	5.08
	Green (default)
	Front screw Connection
	With screw flange
(mm)	$5.08 * (P - 1) + 14.2$
(mm)	21.75
(mm)	12.3
()	02P~24P
	Single level
	PA
	I
UL 94	V0
	500M at DC 500V
	COPPER ALLOY

		Tin PLATED
-IEC		
(V)		630
(A)		14
(II/2)(V)		630
(III/2)(V)		320
(III/3)(V)		250
(II/2)(KV)		4
(III/2)(KV)		4
(III/3)(KV)		4
(mm ²)		0.2
(mm ²)		1.5
(mm ²)		0.2
(mm ²)		1.5
(mm ²)	' ,	0.25
(mm ²)	' ,	0.75
(mm ²)	' ,	0.25
(mm ²)	' ,	0.5
	2 (mm ²)	0.2
	2 (mm ²)	0.75
	2 (mm ²)	0.2
	2 (mm ²)	0.75
(mm ²)	2 , ,	0.5
(mm ²)	2 , ,	0.5
	2 (mm ²) , ,	0.5
	2 (mm ²) , ,	0.5
		M2
Width)(mm)	(Blade thickness x	0.4x2.5
Philips		PH0



(N.m)	0.3
	8~9

-UL

(UL/CUL Group B)(V)	300
(UL/CUL Group B)(A)	12
(UL/CUL Group D)(V)	300
(UL/CUL Group D)(A)	10
UL/CUL AWG	28
UL/CUL AWG	14
UL/CUL AWG	28
UL/CUL AWG	14

&

가 (YES or NO)	YES
	120
	-40

UL

(Group B)(AWG)	28~14
(Group B)(V)	300
(Group B)(A)	12
(Group D)(AWG)	28~14
(Group D)(V)	300
(Group D)(A)	10

CUL

(Group B)(AWG)	28~14
(Group B)(V)	300
(Group B)(A)	12
(Group D)(AWG)	28~14
(Group D)(V)	300
(Group D)(A)	10

VDE

--	--

(mm ²)	0.2~1.5
(V)	600
(A)	14

