

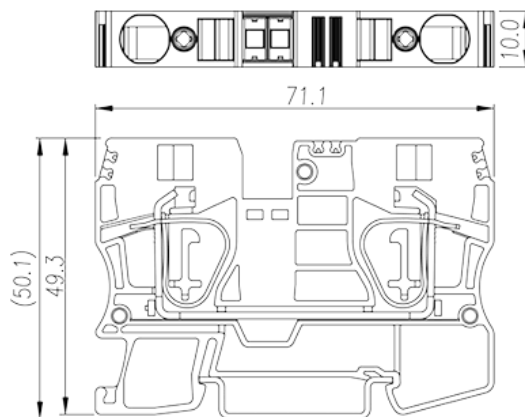
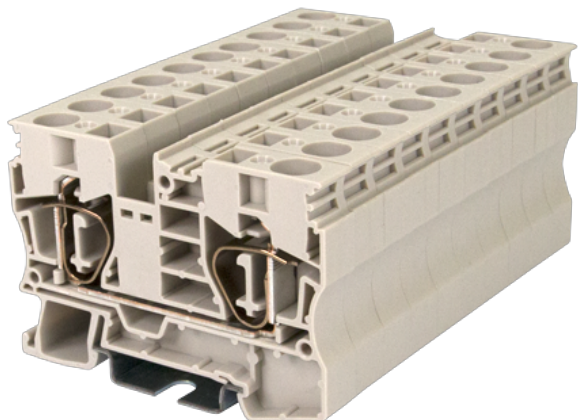
# AK10

DIN

>

:2026-07-04

:1.1



600V, 51A, Beige (default)

	DIN Rail terminal blocks, Feed through terminal blocks
	Feed through terminal blocks
	Beige (default)
	Spring Clamp Connection
	Rail Mounting
(mm)	71.1
(mm)	10
(mm)	49.3
	Single level
	2
	PA
	I
UL 94	V0
	500M at DC 500V

-IEC



&amp;

(YES or NO)	YES
가 (YES or NO)	YES
	120
	-40

UL

(Group B)(AWG)	24~6
(Group B)(V)	600
(Group B)(A)	51
(Group C)(AWG)	24~6
(Group C)(V)	600
(Group C)(A)	51

CUL

(Group B)(AWG)	24~6
(Group B)(V)	600
(Group B)(A)	51
(Group C)(AWG)	24~6
(Group C)(V)	600
(Group C)(A)	51

VDE

(mm <sup>2</sup> )	1.5~10
(V)	800
(A)	57

--	--

