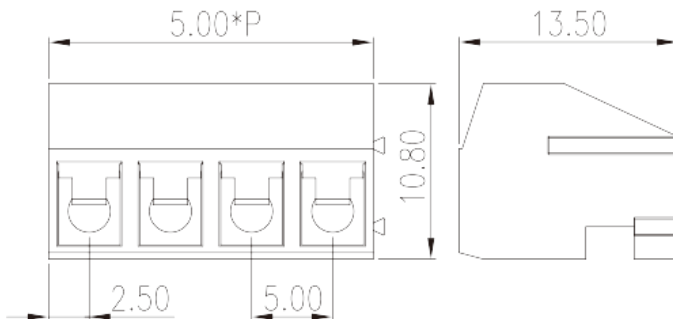


# ED130F-XXP

PCB > PCB -

:2026-07-05 :1.1



Pitch : 5.00 mm, 300V, 7A

	PCB Connector – Plug, Wire protector type
	PCB Connector – Plug
(mm)	5.00
	Blue (default)
	Wire Protector Type
	Without
(mm)	5.00*P
(mm)	13.5
(mm)	10.8
( )	02P~03P
	Single level
	PBT
	IIIa
UL 94	V0
	1000M at DC 500V
	COPPER ALLOY

Tin PLATED

**-IEC**

(V)	250
(A)	12
(II/2)(V)	400
(III/2)(V)	320
(III/3)(V)	250
(II/2)(KV)	4
(III/2)(KV)	4
(III/3)(KV)	4
(mm <sup>2</sup> )	0.5
(mm <sup>2</sup> )	1.5
(mm <sup>2</sup> )	0.5
(mm <sup>2</sup> )	1.5
(mm <sup>2</sup> ) , ,	0.34
(mm <sup>2</sup> ) , ,	1
(mm <sup>2</sup> ) , ,	0.34
(mm <sup>2</sup> ) , ,	1
2 (mm <sup>2</sup> )	1
2 (mm <sup>2</sup> )	1
(mm <sup>2</sup> ) <sup>2</sup> , ,	0.25
(mm <sup>2</sup> ) <sup>2</sup> , ,	0.34
(mm <sup>2</sup> ) <sup>2</sup> , ,	0.5
(mm <sup>2</sup> ) <sup>2</sup> , ,	0.5
	M2.5
Width)(mm) (Blade thickness x	0.6x3.5
Philips	PH1
(N.m)	0.3
	5~6

### -UL

(UL/CUL Group B)(V)		300
(UL/CUL Group B)(A)		7
(UL/CUL Group D)(V)		300
(UL/CUL Group D)(A)		7
UL/CUL	AWG	22
UL/CUL	AWG	14
UL/CUL	AWG	22
UL/CUL	AWG	14

### &

가	(YES or NO)	YES
		120
		-40

### UL

(Group B)(AWG)		22~14
(Group B)(V)		300
(Group B)(A)		7
(Group D)(AWG)		22~14
(Group D)(V)		300
(Group D)(A)		7

### CUL

(Group B)(AWG)		22~14
(Group B)(V)		300
(Group B)(A)		7
(Group D)(AWG)		22~14
(Group D)(V)		300
(Group D)(A)		7

