

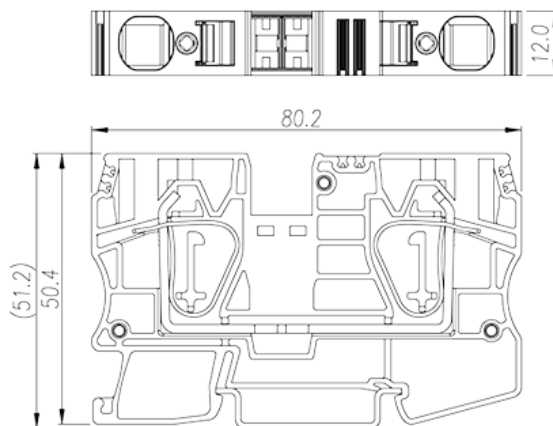
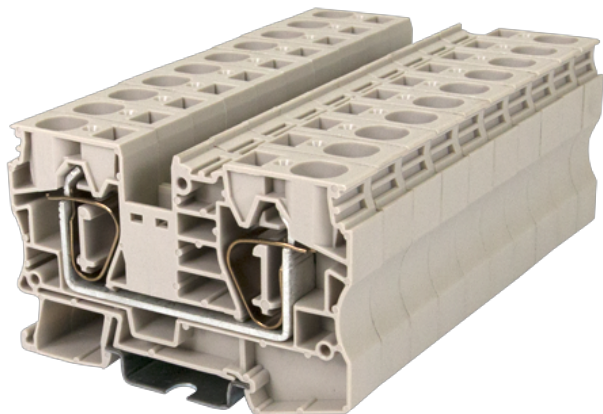
# AK16

DIN

>

:2026-07-04

:1.1



600V, 66A, Beige (default)

	DIN Rail terminal blocks, Feed through terminal blocks
	Feed through terminal blocks
	Beige (default)
	Spring Clamp Connection
	Rail Mounting
(mm)	80.2
(mm)	12
(mm)	50.4
	Single level
	2
	PA
	I
UL 94	V0
	500M at DC 500V

-IEC

(V)	800
(A)	76
(III/3)(V)	800
(II/2)(KV)	8
(III/2)(KV)	8
(III/3)(KV)	8
(mm <sup>2</sup> )	1.5
(mm <sup>2</sup> )	25
(mm <sup>2</sup> )	1.5
(mm <sup>2</sup> )	16
(mm <sup>2</sup> ) , ,	1.5
(mm <sup>2</sup> ) , ,	16
(mm <sup>2</sup> ) , ,	1.5
(mm <sup>2</sup> ) , ,	16
2 (mm <sup>2</sup> ) , ,	1.5
2 (mm <sup>2</sup> ) , ,	4
Width)(mm) (Blade thickness x	1.0x5.5
	18
	TS-35
	YES
	NO

### -UL

(UL/CUL Group B)(V)	600
(UL/CUL Group B)(A)	66
(UL/CUL Group C)(V)	600
(UL/CUL Group C)(A)	66
UL/CUL AWG	24
UL/CUL AWG	4
UL/CUL AWG	24
UL/CUL AWG	4



&

(YES or NO)	YES
가 (YES or NO)	YES
	120
	-40

UL

(Group B)(AWG)	24~4
(Group B)(V)	600
(Group B)(A)	66
(Group C)(AWG)	24~4
(Group C)(V)	600
(Group C)(A)	66

CUL

(Group B)(AWG)	24~4
(Group B)(V)	600
(Group B)(A)	66
(Group C)(AWG)	24~4
(Group C)(V)	600
(Group C)(A)	66

VDE

(mm <sup>2</sup> )	1.5~16
(V)	800
(A)	76

--	--

