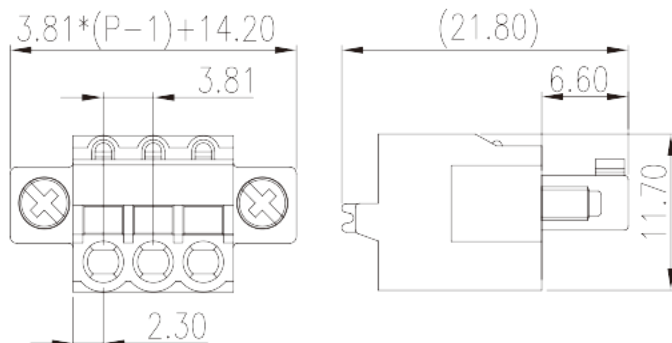
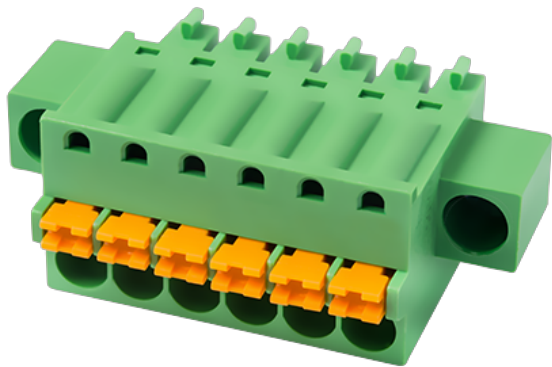


ESC381VM-XXP

PCB > PCB -

:2026-07-04 :1.1



Pitch : 3.81 mm, 300V, 8A

	PCB Connector – Plug, Push-in design
	PCB Connector – Plug
(mm)	3.81
	Green (default)
	Push in Design
	With screw flange
(mm)	$3.81*(P-1) + 14.2$
(mm)	21.8
(mm)	11.7
()	02P~20P
	Single level
	PA
	I
UL 94	V0
	500M at DC 500V
	COPPER ALLOY

Tin PLATED

-IEC

(V)	500
(A)	10
(II/2)(V)	500
(III/2)(V)	320
(III/3)(V)	200
(II/2)(KV)	4
(III/2)(KV)	4
(III/3)(KV)	4
(mm ²)	0.2
(mm ²)	1.5
(mm ²)	0.2
(mm ²)	1.5
(mm ²) , ,	0.25
(mm ²) , ,	1
(mm ²) , ,	0.25
(mm ²) , ,	0.75
2 (mm ²) , ,	0.5
2 (mm ²) , ,	0.75
Philips	0.4x2.5
	9~10

-UL

(UL/CUL Group B)(V)	300
(UL/CUL Group B)(A)	8
(UL/CUL Group D)(V)	300
(UL/CUL Group D)(A)	8
UL/CUL AWG	28
UL/CUL AWG	16
UL/CUL AWG	28



UL/CUL	AWG	16
&		
가	(YES or NO)	YES
		120
		-40

UL

(Group B)(AWG)		28~16
(Group B)(V)		300
(Group B)(A)		8
(Group D)(AWG)		28~16
(Group D)(V)		300
(Group D)(A)		8

CUL

(Group B)(AWG)		28~16
(Group B)(V)		300
(Group B)(A)		8
(Group D)(AWG)		28~16
(Group D)(V)		300
(Group D)(A)		8

VDE

(mm ²)		0.2~1.5
(V)		500
(A)		10

--	--	--

