

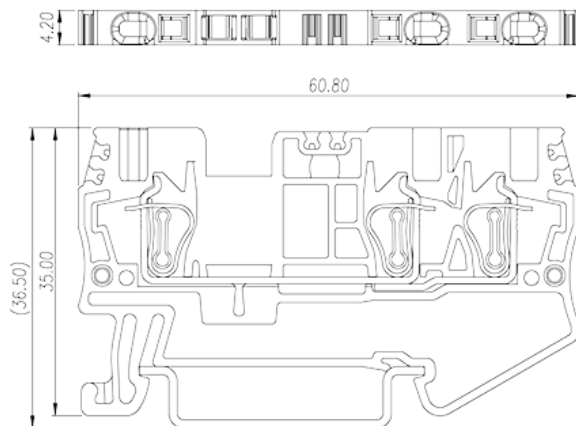
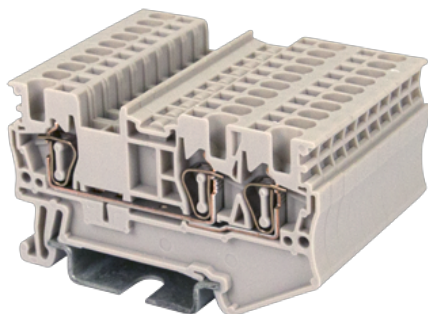
# AK1.5-TN

DIN

>

:2026-07-04

:1.1



600V, 15A, Beige (default)

	DIN Rail terminal blocks, Feed through terminal blocks
	Feed through terminal blocks
	Beige (default)
	Spring Clamp Connection
	Rail Mounting
(mm)	60.8
(mm)	4.2
(mm)	35
	Single level
	3
	PA
	I
UL 94	V0
	500M at DC 500V

-IEC

(V)	630
(A)	17.5
(III/3)(V)	630
(II/2)(KV)	8
(III/2)(KV)	8
(III/3)(KV)	8
(mm <sup>2</sup> )	0.14
(mm <sup>2</sup> )	1.5
(mm <sup>2</sup> )	0.14
(mm <sup>2</sup> )	1.5
(mm <sup>2</sup> ) , ,	0.25
(mm <sup>2</sup> ) , ,	1.5
(mm <sup>2</sup> ) , ,	0.25
(mm <sup>2</sup> ) , ,	1.5
2 (mm <sup>2</sup> ) , ,	0.5
2 (mm <sup>2</sup> ) , ,	0.5
Width)(mm) (Blade thickness x	0.4x2.5
	10
	TS-35
	YES
	NO

### -UL

(UL/CUL Group B)(V)	600
(UL/CUL Group B)(A)	15
(UL/CUL Group C)(V)	600
(UL/CUL Group C)(A)	15
UL/CUL AWG	30
UL/CUL AWG	14
UL/CUL AWG	30
UL/CUL AWG	14

&amp;

(YES or NO)	YES
가 (YES or NO)	YES
	120
	-40

UL

(Group B)(AWG)	30~14
(Group B)(V)	600
(Group B)(A)	15
(Group C)(AWG)	30~14
(Group C)(V)	600
(Group C)(A)	15

CUL

(Group B)(AWG)	30~14
(Group B)(V)	600
(Group B)(A)	15
(Group C)(AWG)	30~14
(Group C)(V)	600
(Group C)(A)	15

VDE

(mm <sup>2</sup> )	0.14~1.5
(V)	630
(A)	17.5

--	--

