

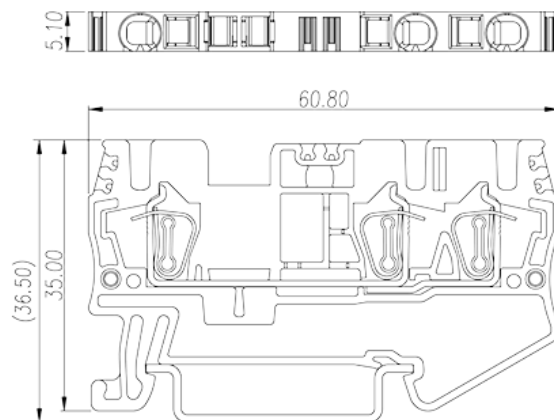
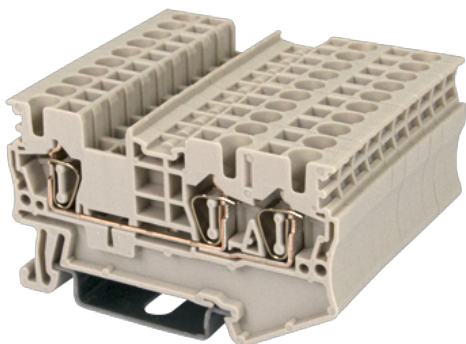
AK2.5-TN

DIN

>

:2026-07-04

:1.1



600V, 20A, Beige (default)

	DIN Rail terminal blocks, Feed through terminal blocks
	Feed through terminal blocks
	Beige (default)
	Spring Clamp Connection
	Rail Mounting
(mm)	60.8
(mm)	5.1
(mm)	35
	Single level
	3
	PA
	I
UL 94	V0
	500M at DC 500V

-IEC



(V)	800
(A)	24
(III/3)(V)	800
(II/2)(KV)	8
(III/2)(KV)	8
(III/3)(KV)	8
(mm ²)	0.2
(mm ²)	4
(mm ²)	0.2
(mm ²)	2.5
(mm ²) , ,	0.25
(mm ²) , ,	2.5
(mm ²) , ,	0.25
(mm ²) , ,	2.5
2 (mm ²) , ,	0.5
2 (mm ²) , ,	0.5
Width)(mm) (Blade thickness x	0.6x3.5
	10
	TS-35
	YES
	NO

-UL

(UL/CUL Group B)(V)	600
(UL/CUL Group B)(A)	20
(UL/CUL Group C)(V)	600
(UL/CUL Group C)(A)	20
UL/CUL AWG	30
UL/CUL AWG	12
UL/CUL AWG	30
UL/CUL AWG	12



&

(YES or NO)	YES
가 (YES or NO)	YES
	120
	-40

UL

(Group B)(AWG)	30~12
(Group B)(V)	600
(Group B)(A)	20
(Group C)(AWG)	30~12
(Group C)(V)	600
(Group C)(A)	20

CUL

(Group B)(AWG)	30~12
(Group B)(V)	600
(Group B)(A)	20
(Group C)(AWG)	30~12
(Group C)(V)	600
(Group C)(A)	20

VDE

(mm ²)	0.2~2.5
(V)	800
(A)	24

--	--

