

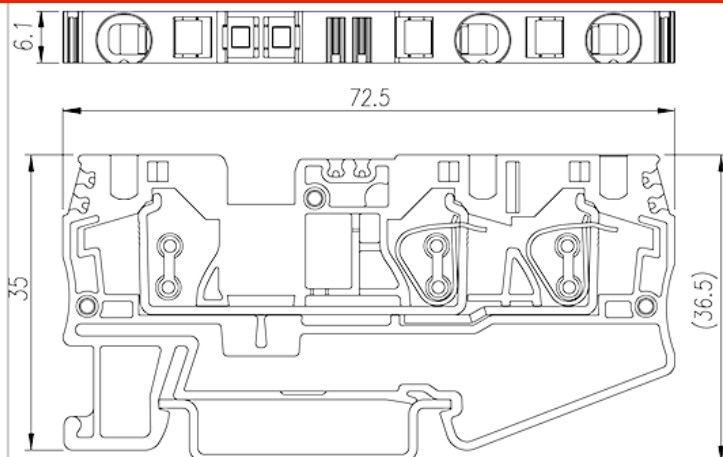
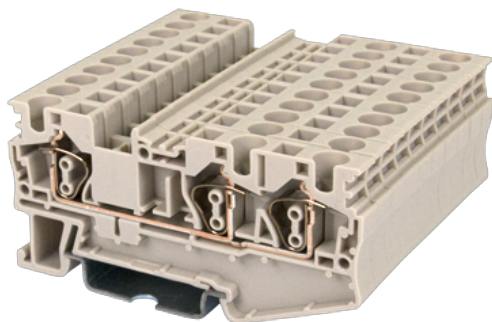
AK4-TN

DIN

>

:2026-07-04

:1.1



600V, 25A, Beige (default)

	DIN Rail terminal blocks, Feed through terminal blocks
	Feed through terminal blocks
	Beige (default)
	Spring Clamp Connection
	Rail Mounting
(mm)	72.5
(mm)	6.1
(mm)	35
	Single level
	3
	PA
	I
UL 94	V0
	500M at DC 500V

-IEC

(V)	800
(A)	32
(III/3)(V)	800
(II/2)(KV)	8
(III/2)(KV)	8
(III/3)(KV)	8
(mm ²)	0.2
(mm ²)	6
(mm ²)	0.2
(mm ²)	4
(mm ²) , ,	0.25
(mm ²) , ,	4
(mm ²) , ,	0.25
(mm ²) , ,	4
2 (mm ²) , ,	0.5
2 (mm ²) , ,	1
Width)(mm) (Blade thickness x	0.6x3.5
	10
	TS-35
	YES
	NO

-UL

(UL/CUL Group B)(V)	600
(UL/CUL Group B)(A)	25
(UL/CUL Group C)(V)	600
(UL/CUL Group C)(A)	25
UL/CUL AWG	28
UL/CUL AWG	10
UL/CUL AWG	28
UL/CUL AWG	10



&

(YES or NO)	YES
가 (YES or NO)	YES
	120
	-40

UL

(Group B)(AWG)	28~10
(Group B)(V)	600
(Group B)(A)	25
(Group C)(AWG)	28~10
(Group C)(V)	600
(Group C)(A)	25

CUL

(Group B)(AWG)	28~10
(Group B)(V)	600
(Group B)(A)	25
(Group C)(AWG)	28~10
(Group C)(V)	600
(Group C)(A)	25

VDE

(mm ²)	0.2~4
(V)	800
(A)	32

--	--

