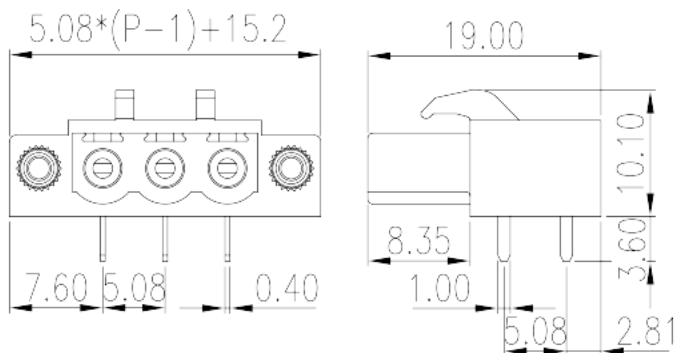
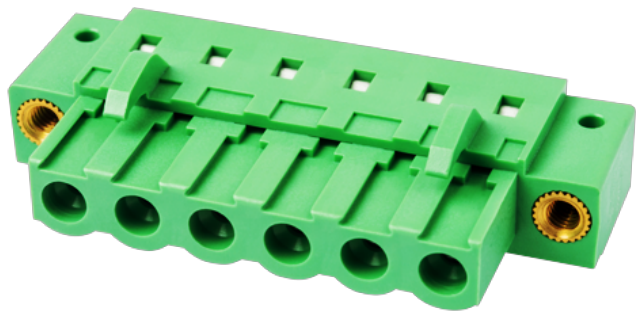


2ESDCRM-XXP

PCB > PCB -

:2026-07-04 :V1



Pitch : 5.08mm, 300V, 12A

	PCB Connector – Plug, Wave soldering
	PCB Connector – Plug
(mm)	5.08
	Green (default)
	With threaded flange
	Wave soldering
(mm)	$5.08 \times (P-1) + 15.2$
(mm)	19
(mm)	10.1
() x () (mm)	0.4x1.0
PCB (mm)	1.3~1.5
()	02P~20P
	Single level
	PA
	I
UL 94	V0



500M at DC 500V

COPPER ALLOY

Tin PLATED

-IEC

(V)	630
(A)	18
(II/2)(V)	630
(III/2)(V)	320
(III/3)(V)	320
(II/2)(KV)	4
(III/2)(KV)	4
(III/3)(KV)	4

-UL

(UL/CUL Group B)(V)	300
(UL/CUL Group B)(A)	12
(UL/CUL Group D)(V)	300
(UL/CUL Group D)(A)	10

&

가 (YES or NO)	YES
	120
	-40

UL

(Group B)(V)	300
(Group B)(A)	12

CUL

(Group B)(V)	300
(Group B)(A)	12

