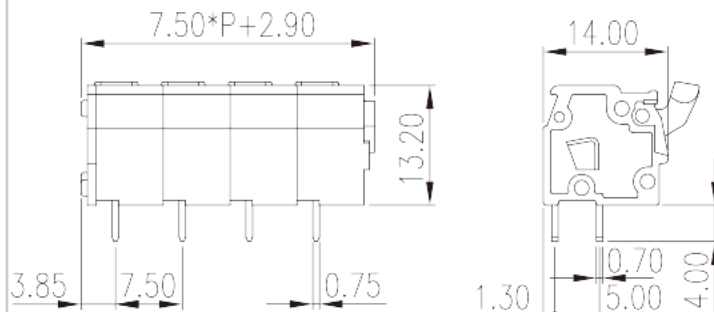
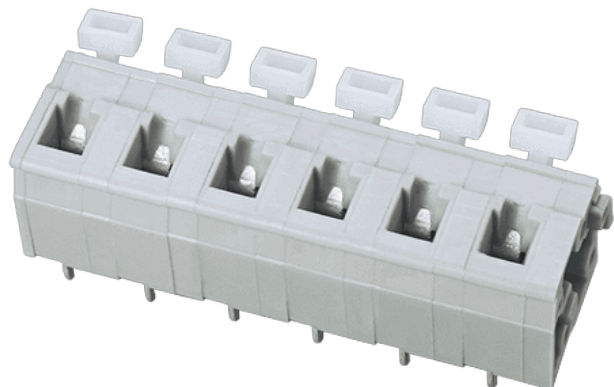


WKV750A-XXP

PCB > PCB

:2026-07-05 :V1



Pitch : 7.50mm, 300V, 15A

	PCB Terminal Blocks, Spring clamp connection
	PCB Terminal Blocks
(mm)	7.5
	Grey (default)
	Spring clamp connection
	Without
(mm)	7.50*P+2.90
(mm)	13
(mm)	13.2
(x) (mm)	0.7x0.75
PCB (mm)	1.1~1.2
()	02P~24P
	Single level
	PA
	I
UL 94	V0



	500M at DC 500V
	COPPER ALLOY
	Tin PLATED

-IEC

(V)	450
(A)	24
(II/2)(V)	1000
(III/2)(V)	630
(III/3)(V)	500
(II/2)(KV)	6
(III/2)(KV)	6
(III/3)(KV)	6
(mm ²)	0.5
(mm ²)	2.5
(mm ²)	0.5
(mm ²)	2.5
(mm ²) , ,	0.25
(mm ²) , ,	1.5
(mm ²) , ,	0.25
(mm ²) , ,	1.5
	5~6

-UL

(UL/CUL Group B)(V)	300
(UL/CUL Group B)(A)	15
(UL/CUL Group C)(V)	150
(UL/CUL Group C)(A)	15
(UL/CUL Group D)(V)	300
(UL/CUL Group D)(A)	10
UL/CUL AWG	28
UL/CUL AWG	12
UL/CUL AWG	28



UL/CUL	AWG	12
&		
가	(YES or NO)	YES
		120
		-40

UL

(Group B)(AWG)	28~12
(Group B)(V)	300
(Group B)(A)	15
(Group C)(AWG)	28~12
(Group C)(V)	150
(Group C)(A)	15
(Group D)(AWG)	28~12
(Group D)(V)	300
(Group D)(A)	10

CUL

(Group B)(AWG)	28~12
(Group B)(V)	300
(Group B)(A)	15
(Group C)(AWG)	28~12
(Group C)(V)	150
(Group C)(A)	15
(Group D)(AWG)	28~12
(Group D)(V)	150
(Group D)(A)	10

VDE

(mm ²)	0.5~2.5
(V)	450
(A)	24

