

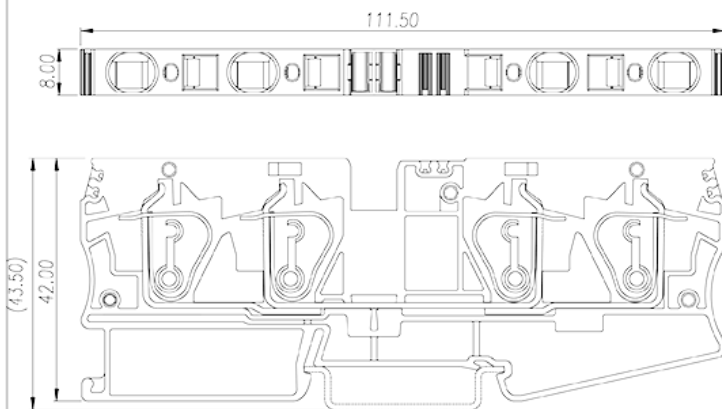
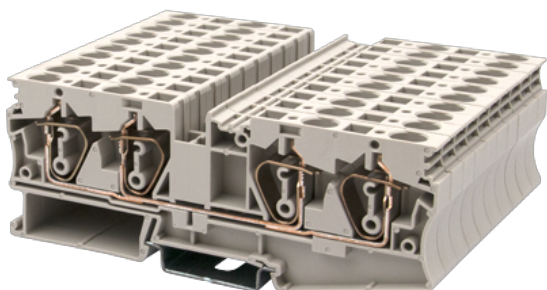
AK6-TR

DIN

>

:2026-02-09

:1.1



600V, 36A, Beige (default)

	DIN Rail terminal blocks, Feed through terminal blocks
	Feed through terminal blocks
	Beige (default)
	Spring Clamp Connection
	Rail Mounting
(mm)	111.05
(mm)	8
(mm)	42
	Single level
	4
	PA
	I
UL 94	V0
	500M at DC 500V

-IEC

(V)	800
(A)	41
(III/3)(V)	800
(III/3)(KV)	8
(mm ²)	0.5
(mm ²)	10
(mm ²)	0.5
(mm ²)	6
(mm ²) , ,	0.5
(mm ²) , ,	6
(mm ²) , ,	0.5
(mm ²) , ,	4
² (mm ²) , ,	0.5
² (mm ²) , ,	1.5
Width)(mm) (Blade thickness x	0.8x4
	12
	TS-35
	YES
	NO

-UL

(UL/CUL Group B)(V)	600
(UL/CUL Group B)(A)	36
(UL/CUL Group C)(V)	600
(UL/CUL Group C)(A)	36
UL/CUL AWG	24
UL/CUL AWG	8
UL/CUL AWG	24
UL/CUL AWG	8

&



(YES or NO)	YES
가 (YES or NO)	YES
	120
	-40

UL

(Group B)(AWG)	24~8
(Group B)(V)	600
(Group B)(A)	36
(Group C)(AWG)	24~8
(Group C)(V)	600
(Group C)(A)	36

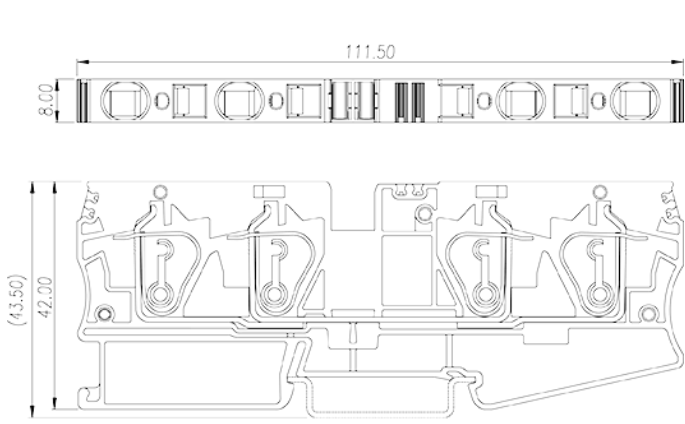
CUL

(Group B)(AWG)	24~8
(Group B)(V)	600
(Group B)(A)	36
(Group C)(AWG)	24~8
(Group C)(V)	600
(Group C)(A)	36

VDE

(mm ²)	0.5~6
(V)	800
(A)	41

--	--



circuit diagram

