

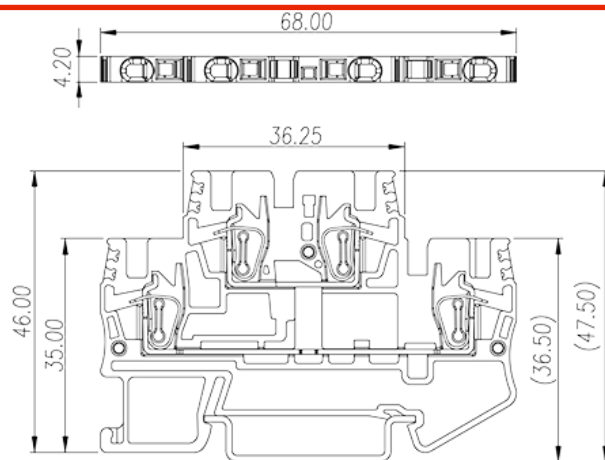
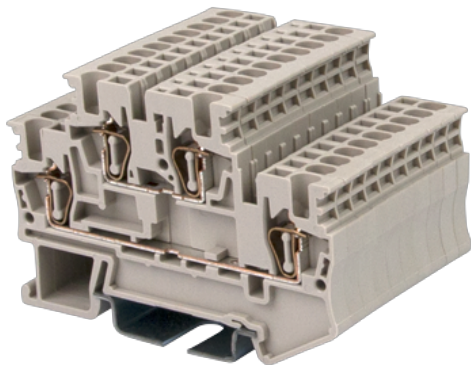
AKK1.5

DIN

>

:2026-07-04

:1.1



300V, 15A, Beige (default)

	DIN Rail terminal blocks, Bi level feed through terminal blocks
	Bi level feed through terminal blocks
	Beige (default)
	Spring Clamp Connection
	Rail Mounting
(mm)	68
(mm)	4.2
(mm)	46
	Double level
	4
	PA
	I
UL 94	V0
	500M at DC 500V

-IEC

(V)	630
(A)	17.5
(III/3)(V)	630
(II/2)(KV)	8
(III/2)(KV)	8
(III/3)(KV)	8
(mm ²)	0.14
(mm ²)	1.5
(mm ²)	0.14
(mm ²)	1.5
(mm ²) , ,	0.25
(mm ²) , ,	0.75
(mm ²) , ,	0.25
(mm ²) , ,	0.75
2 (mm ²) , ,	0.5
2 (mm ²) , ,	0.5
Width)(mm) (Blade thickness x	0.4x2.5
	10
	TS-35
	YES
	NO

-UL

(UL/CUL Group B)(V)	300
(UL/CUL Group B)(A)	15
(UL/CUL Group C)(V)	300
(UL/CUL Group C)(A)	15
UL/CUL AWG	26
UL/CUL AWG	14
UL/CUL AWG	26
UL/CUL AWG	14



&

(YES or NO)	YES
가 (YES or NO)	YES
	120
	-40

UL

(Group B)(AWG)	26~14
(Group B)(V)	300
(Group B)(A)	15
(Group C)(AWG)	26~14
(Group C)(V)	300
(Group C)(A)	15

CUL

(Group B)(AWG)	26~14
(Group B)(V)	300
(Group B)(A)	15
(Group C)(AWG)	26~14
(Group C)(V)	300
(Group C)(A)	15

VDE

(mm ²)	0.14~1.5
(V)	630
(A)	17.5

--	--

