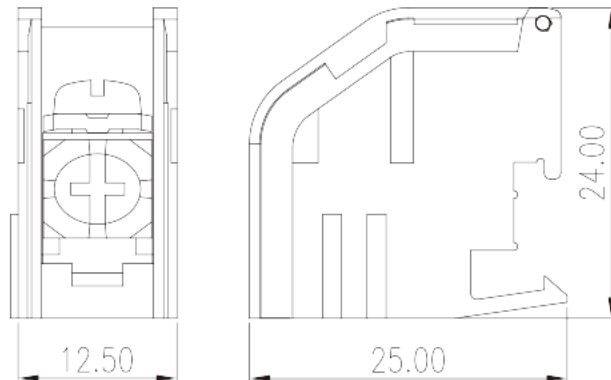
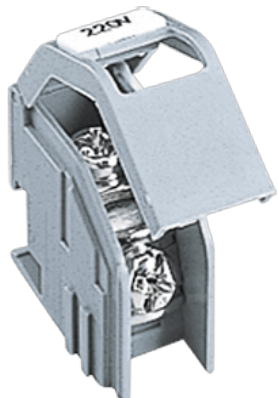


TKE01

PCB >

:2026-02-09 :1.2



M4, 600V, 30A

	Transformer terminal blocks, Screw connection
	Gray
	Screw connection
	Rail mounting
	PA
	I
UL 94	V0
	COPPER ALLOY
	Tin PLATED
-IEC	
(V)	800
(A)	24
(III/3)(V)	800
(II/2)(KV)	8
(III/2)(KV)	8

(III/3)(KV)	8
(mm ²)	0.5
(mm ²)	2.5
(mm ²)	0.5
(mm ²)	2.5
	M4
Width)(mm) (Blade thickness x	1.0x5.5
Philips	PH2
(N.m)	1.76
	11~12

-UL

(UL/CUL Group B)(V)	600
(UL/CUL Group B)(A)	30
(UL/CUL Group C)(V)	600
(UL/CUL Group C)(A)	30
(UL/CUL Group D)(V)	600
(UL/CUL Group D)(A)	5
UL/CUL AWG	18
UL/CUL AWG	12
UL/CUL AWG	18
UL/CUL AWG	12

&

(YES or NO)	YES
가 (YES or NO)	YES
	115
	-40

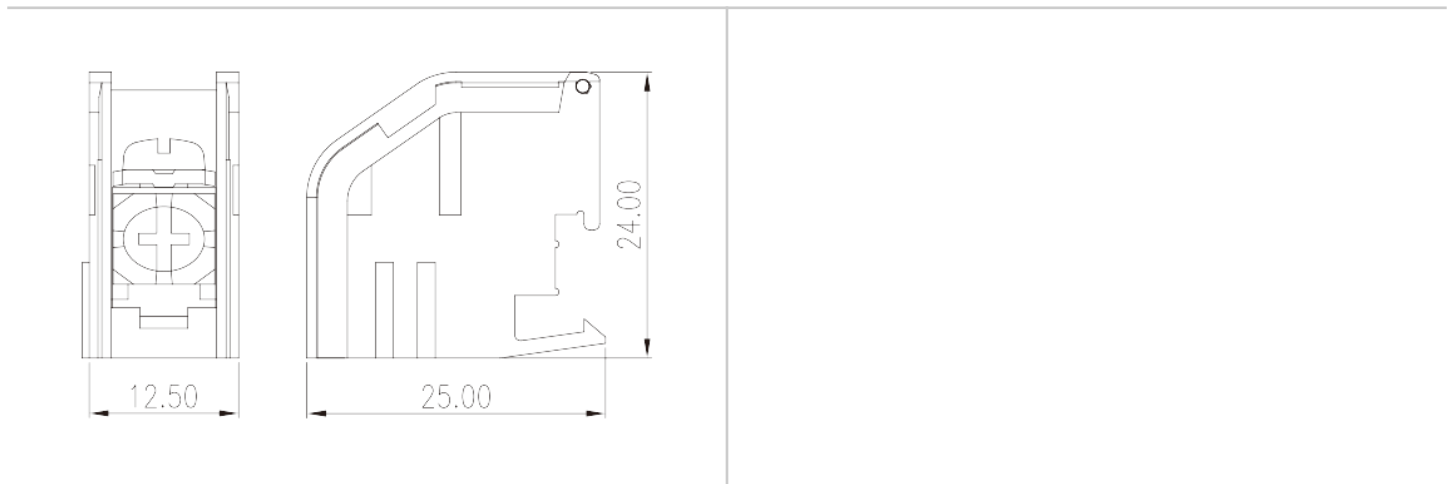
UL

(Group B)(AWG)	12~18
(Group B)(V)	600
(Group B)(A)	30
(Group C)(AWG)	12~18

(Group C)(V)	600
(Group C)(A)	30
(Group D)(AWG)	12~18
(Group D)(V)	600
(Group D)(A)	5

CUL

(Group B)(AWG)	12~18
(Group B)(V)	600
(Group B)(A)	30
(Group C)(AWG)	12~18
(Group C)(V)	600
(Group C)(A)	30
(Group D)(AWG)	12~18
(Group D)(V)	600
(Group D)(A)	5





Delight Through Connections