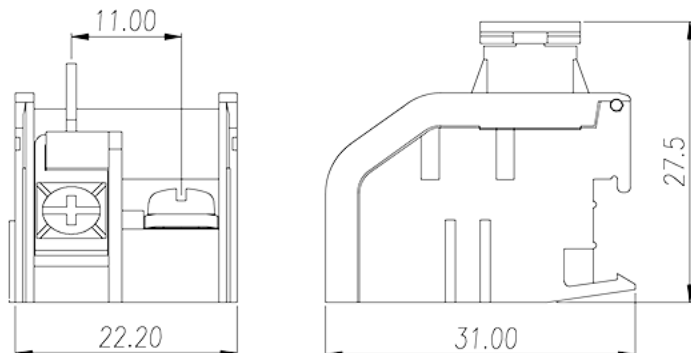
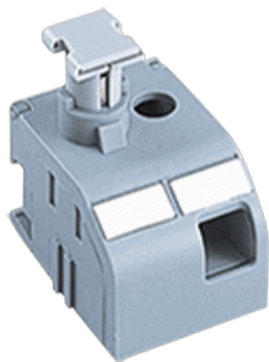


# TKE03

PCB >

:2026-07-04 :1.2



M3.5, 600V, 6.3A

	Transformer terminal blocks, Screw connection
	Gray
	Screw connection
	Rail mounting
	PA
	I
UL 94	V0
	COPPER ALLOY
	Tin PLATED
<b>-IEC</b>	
(V)	800
(A)	6.3
(III/3)(V)	800
(II/2)(KV)	8
(III/2)(KV)	8

(III/3)(KV)	8
(mm <sup>2</sup> )	0.2
(mm <sup>2</sup> )	4
(mm <sup>2</sup> )	0.2
(mm <sup>2</sup> )	4
	M3.5
Width)(mm) (Blade thickness x	0.8x4
Philips	PH2
(N.m)	1.2
	15~17

### -UL

(UL/CUL Group B)(V)	600
(UL/CUL Group B)(A)	6.3
(UL/CUL Group C)(V)	600
(UL/CUL Group C)(A)	6.3
(UL/CUL Group D)(V)	600
(UL/CUL Group D)(A)	5
UL/CUL AWG	24
UL/CUL AWG	12
UL/CUL AWG	24
UL/CUL AWG	12

### &

(YES or NO)	YES
가 (YES or NO)	YES
	115
	-40

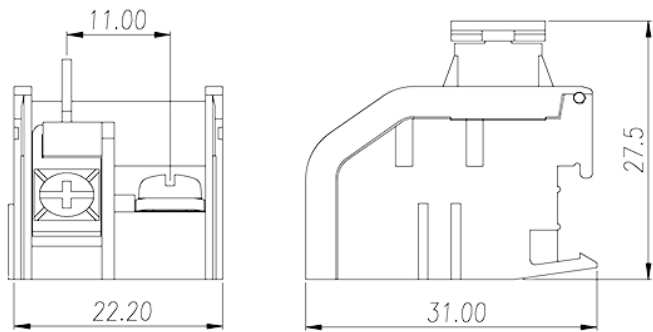
### UL

(Group B)(AWG)	12~24
(Group B)(V)	600
(Group B)(A)	6.3
(Group C)(AWG)	12~24

(Group C)(V)	600
(Group C)(A)	6.3
(Group D)(AWG)	12~24
(Group D)(V)	600
(Group D)(A)	5

## CUL

(Group B)(AWG)	12~24
(Group B)(V)	600
(Group B)(A)	6.3
(Group C)(AWG)	12~24
(Group C)(V)	600
(Group C)(A)	6.3
(Group D)(AWG)	12~24
(Group D)(V)	600
(Group D)(A)	5





Delight Through Connections