

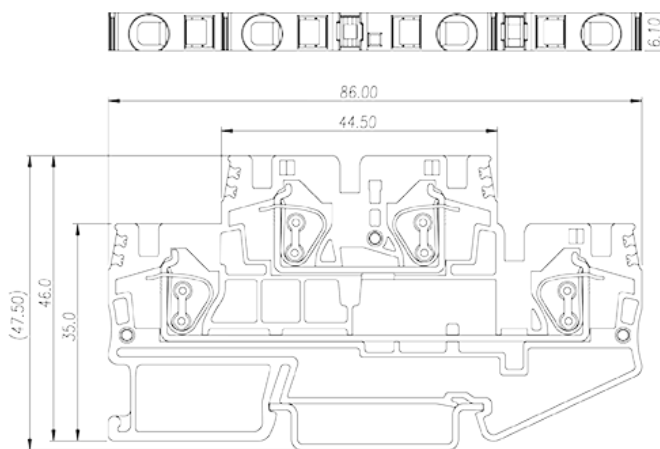
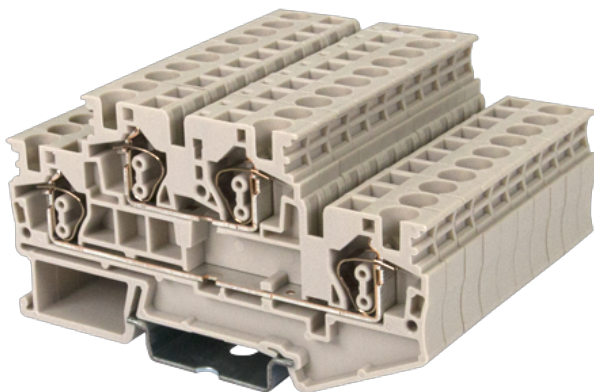
# AKK4

DIN

>

:2026-07-04

:1.1



300V, 25A, Beige (default)

	DIN Rail terminal blocks, Bi level feed through terminal blocks
	Bi level feed through terminal blocks
	Beige (default)
	Spring Clamp Connection
	Rail Mounting
(mm)	86
(mm)	6.1
(mm)	46
	Double level
	4
	PA
	I
UL 94	V0
	500M at DC 500V

-IEC

(V)		630
(A)		28
(III/3)(V)		630
(II/2)(KV)		8
(III/2)(KV)		8
(III/3)(KV)		8
(mm <sup>2</sup> )		0.2
(mm <sup>2</sup> )		6
(mm <sup>2</sup> )		0.2
(mm <sup>2</sup> )		4
(mm <sup>2</sup> )	,	0.25
(mm <sup>2</sup> )	,	4
(mm <sup>2</sup> )	,	0.25
(mm <sup>2</sup> )	,	4
	2 (mm <sup>2</sup> ) ,	0.5
	2 (mm <sup>2</sup> ) ,	1
Width)(mm)	(Blade thickness x	0.6x3.5
		10
		TS-35
		YES
		NO

### -UL

(UL/CUL Group B)(V)		300
(UL/CUL Group B)(A)		25
(UL/CUL Group C)(V)		300
(UL/CUL Group C)(A)		25
UL/CUL	AWG	28
UL/CUL	AWG	10
UL/CUL	AWG	28
UL/CUL	AWG	10



&

(YES or NO)	YES
가 (YES or NO)	YES
	120
	-40

UL

(Group B)(AWG)	28~10
(Group B)(V)	300
(Group B)(A)	25
(Group C)(AWG)	28~10
(Group C)(V)	300
(Group C)(A)	25

CUL

(Group B)(AWG)	28~10
(Group B)(V)	300
(Group B)(A)	25
(Group C)(AWG)	28~10
(Group C)(V)	300
(Group C)(A)	25

VDE

(mm <sup>2</sup> )	0.2~4
(V)	630
(A)	28

--	--

