

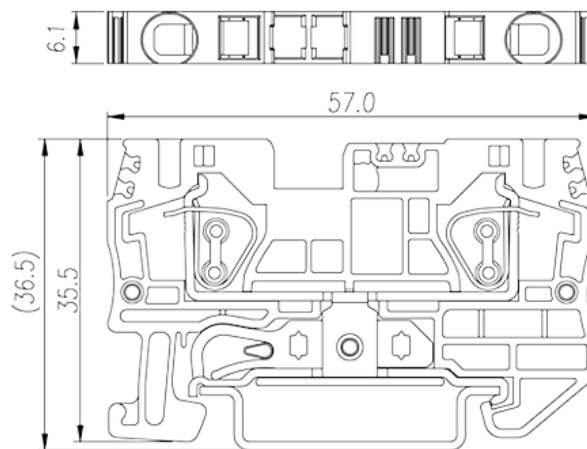
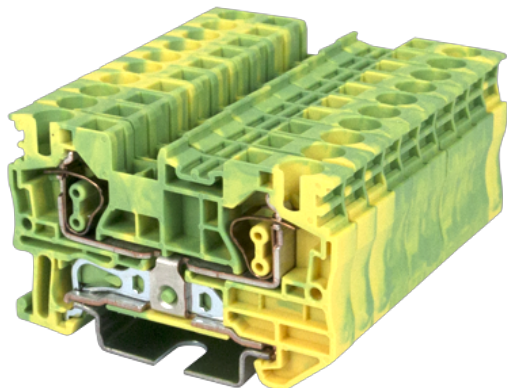
AK4-PE

DIN

>

:2026-07-04

:1.1



Green-Yellow (default)

	DIN Rail terminal blocks, Grounding terminal blocks
	Grounding terminal blocks
	Green-Yellow (default)
	Spring Clamp Connection
	Rail Mounting
(mm)	57
(mm)	6.1
(mm)	35.5
	Single level
	2
	PA
	I
UL 94	V0
	500M at DC 500V

-IEC



(III/3)(KV)		8
(mm ²)		0.2
(mm ²)		6
(mm ²)		0.2
(mm ²)		4
(mm ²)	,	0.25
(mm ²)	,	4
(mm ²)	,	0.25
(mm ²)	,	4
² (mm ²)	,	0.5
² (mm ²)	,	0.5
Width)(mm)	(Blade thickness x	0.6x3.5
		10
		TS-35
		YES
		YES

-UL

UL/CUL	AWG	28
UL/CUL	AWG	10
UL/CUL	AWG	28
UL/CUL	AWG	10

&

(YES or NO)		YES
가 (YES or NO)		YES
		120
		-40

UL

(Group B)(AWG)		28~10
----------------	--	-------

(Group C) (AWG)	28~10
-----------------	-------

CUL

(Group B) (AWG)	28~10
(Group C) (AWG)	28~10

VDE

(mm ²)	0.2~4
--------------------	-------

