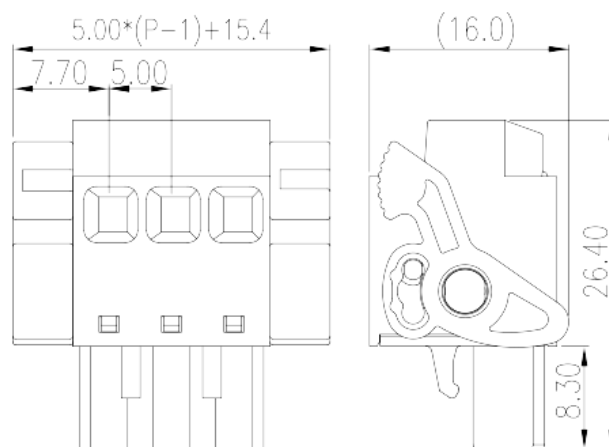


5ESRK-XXP

PCB > PCB -

:2026-05-14 :1.1



Pitch : 5.00 mm, 300V, 10A

	PCB Connector – Plug, Push-in design
	PCB Connector – Plug
(mm)	5.00
	Black (default)
	Push in Design
	With release tool
(mm)	$5.00 * (P - 1) + 15.4$
(mm)	16
(mm)	26.4
()	02P~24P
	Single level
	PA
	I
UL 94	V0
	500M at DC 500V
	COPPER ALLOY



Tin PLATED

-IEC

(V)	600
(A)	18
(II/2)(V)	600
(III/2)(V)	320
(III/3)(V)	320
(II/2)(KV)	4
(III/2)(KV)	4
(III/3)(KV)	4
(mm ²)	0.2
(mm ²)	2.5
(mm ²)	0.2
(mm ²)	2.5
(mm ²) , ,	0.25
(mm ²) , ,	2.5
(mm ²) , ,	0.25
(mm ²) , ,	2.5
(mm ²) ² , ,	0.5
(mm ²) ² , ,	1
(mm ²) ² , ,	0.5
(mm ²) ² , ,	1
	10~11

-UL

(UL/CUL Group B)(V)	300
(UL/CUL Group B)(A)	10
(UL/CUL Group D)(V)	300
(UL/CUL Group D)(A)	10
UL/CUL AWG	26



UL/CUL	AWG	12
UL/CUL	AWG	26
UL/CUL	AWG	12

&

가	(YES or NO)	YES
		120
		-40

UL

(Group B)(AWG)		26~12
(Group B)(V)		300
(Group B)(A)		10
(Group D)(AWG)		26~12
(Group D)(V)		300
(Group D)(A)		10

CUL

(Group B)(AWG)		26~12
(Group B)(V)		300
(Group B)(A)		10
(Group D)(AWG)		26~12
(Group D)(V)		300
(Group D)(A)		10

VDE

(mm ²)		0.2~2.5
(V)		600
(A)		18

--	--	--

