

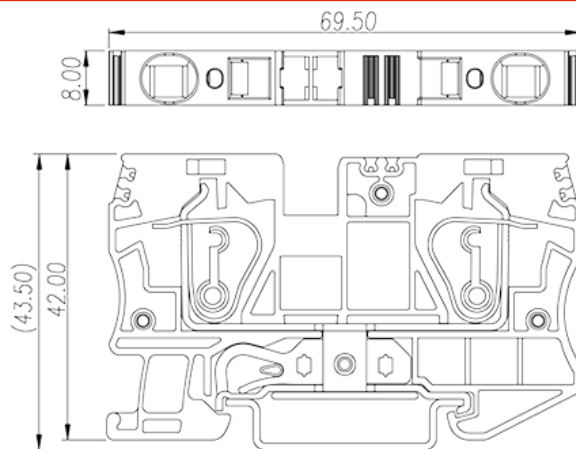
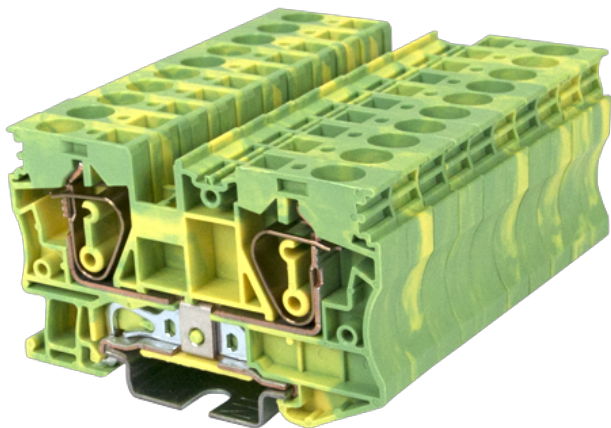
AK6-PE

DIN

>

:2026-07-04

:1.1



Green-Yellow (default)

	DIN Rail terminal blocks, Grounding terminal blocks
	Grounding terminal blocks
	Green-Yellow (default)
	Spring Clamp Connection
	Rail Mounting
(mm)	69.8
(mm)	8
(mm)	42
	Single level
	2
	PA
	I
UL 94	V0
	500M at DC 500V

-IEC



(III/3)(KV)		8
(mm ²)		0.5
(mm ²)		10
(mm ²)		0.5
(mm ²)		6
(mm ²)	,	0.5
(mm ²)	,	6
(mm ²)	,	0.5
(mm ²)	,	4
² (mm ²)	,	0.5
² (mm ²)	,	1.5
Width)(mm)	(Blade thickness x	1.0x5.5
		12
		TS-35
		YES
		YES

-UL

UL/CUL	AWG	24
UL/CUL	AWG	8
UL/CUL	AWG	24
UL/CUL	AWG	8

&

(YES or NO)		YES
가 (YES or NO)		YES
		120
		-40

UL

(Group B)(AWG)		24~8
----------------	--	------

(Group C) (AWG)	24~8
-----------------	------

CUL

(Group B) (AWG)	24~8
(Group C) (AWG)	24~8

VDE

(mm ²)	0.5~6
--------------------	-------

