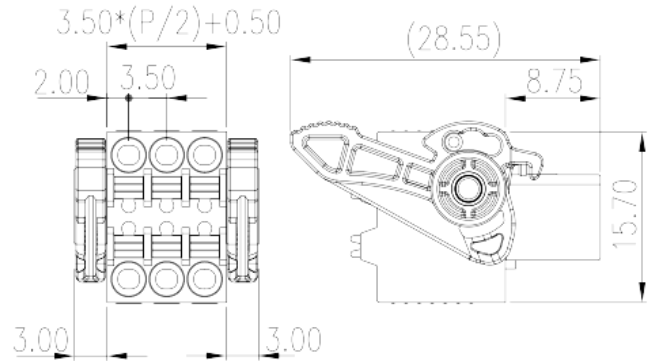


0156-2DXX-BK

PCB > PCB -

:2026-07-05 :1.1



Pitch : 3.50 mm, 150V, 8A

	PCB Connector – Plug, Push-in Design
	PCB Connector – Plug
(mm)	3.5
	Black (default)
	Push in Design
	With release tool
(mm)	$3.50 \times (P/2 - 1) + 10.0$
(mm)	28.5
(mm)	15.7
()	04P~40P
	Double level
	PA
	I
UL 94	V0
	500M at DC 500V
	COPPER ALLOY

Tin PLATED

-IEC

(V)	320
(A)	10
(II/2)(V)	320
(III/2)(V)	160
(III/3)(V)	160
(II/2)(KV)	2.5
(III/2)(KV)	2.5
(III/3)(KV)	2.5
(mm ²)	0.2
(mm ²)	1
(mm ²)	0.2
(mm ²)	1.5
(mm ²) , ,	0.25
(mm ²) , ,	1
(mm ²) , ,	0.25
(mm ²) , ,	0.75
	8~9

-UL

(UL/CUL Group B)(V)	150
(UL/CUL Group B)(A)	8
UL/CUL AWG	28
UL/CUL AWG	16
UL/CUL AWG	28
UL/CUL AWG	16

&

가 (YES or NO)	YES
	120
	-40

UL

(Group B) (AWG)	28~16
(Group B) (V)	150
(Group B) (A)	8

CUL

(Group B) (AWG)	28~16
(Group B) (V)	150
(Group B) (A)	8

