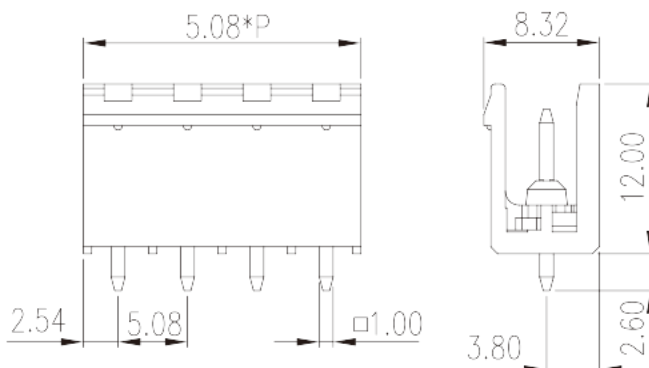


2EHDV-XXPL

PCB > PCB -

:2026-07-05 :V1



Pitch : 5.08 mm, 300V, 15A

	PCB Connector – Socket, Reflow Soldering
	PCB Connector – Socket
(mm)	5.08
	Black (default)
	Without
	Reflow Soldering (Temperature condition according to standard IPC/JEDEC J-STD-020E)
(mm)	5.08*(P-1)+5.08
(mm)	8.32
(mm)	12
(x) (mm)	1.0x1.0
PCB (mm)	1.6
()	02P~24P
	Single level
	HIGH-TEMPERATURE PLASTICS
	IIIa



UL 94	V0
	500M at DC 500V
	COPPER ALLOY
	Tin PLATED
MSL	1

-IEC

(V)	630
(A)	18
(II/2)(V)	630
(III/2)(V)	320
(III/3)(V)	250
(II/2)(KV)	4
(III/2)(KV)	4
(III/3)(KV)	4

-UL

(UL/CUL Group B)(V)	300
(UL/CUL Group B)(A)	15
(UL/CUL Group D)(V)	300
(UL/CUL Group D)(A)	10

&

가 (YES or NO)	NO
	120
	-40

UL

(Group B)(V)	300
(Group B)(A)	15
(Group D)(V)	300
(Group D)(A)	10

CUL

(Group B)(V)	300
--------------	-----

(Group B)(A)	15
(Group D)(V)	300
(Group D)(A)	10

VDE

(V)	630
(A)	18

