

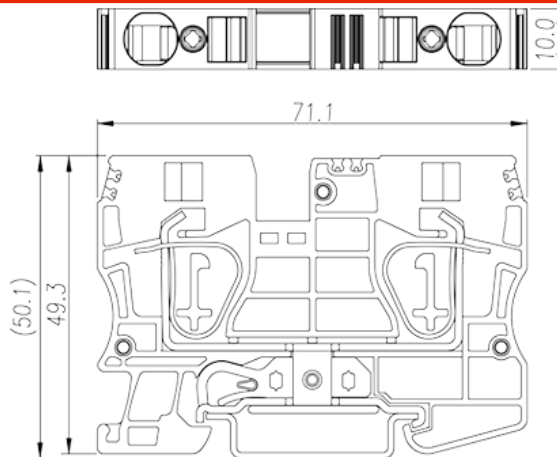
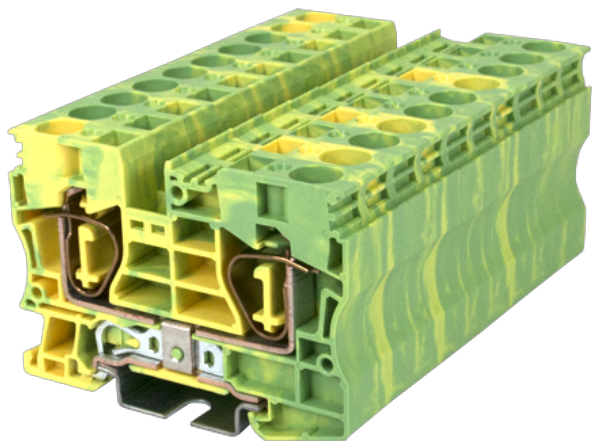
# AK10-PE

DIN

>

:2026-07-04

:1.1



Green-Yellow (default)

	DIN Rail terminal blocks, Grounding terminal blocks
	Grounding terminal blocks
	Green-Yellow (default)
	Spring Clamp Connection
	Rail Mounting
(mm)	71.1
(mm)	10
(mm)	49.3
	Single level
	2
	PA
	I
UL 94	V0
	500M at DC 500V

-IEC

(A)		57
(III/3)(KV)		8
(mm <sup>2</sup> )		1.5
(mm <sup>2</sup> )		10
(mm <sup>2</sup> )		1.5
(mm <sup>2</sup> )		10
(mm <sup>2</sup> )	,	1.5
(mm <sup>2</sup> )	,	10
(mm <sup>2</sup> )	,	1.5
(mm <sup>2</sup> )	,	6
	2 (mm <sup>2</sup> ) ,	1.5
	2 (mm <sup>2</sup> ) ,	1.5
Width)(mm)	(Blade thickness x	1.0x5.5
		18
		TS-35
		YES
		YES

### -UL

UL/CUL	AWG	24
UL/CUL	AWG	6
UL/CUL	AWG	24
UL/CUL	AWG	6

### &

(YES or NO)		YES
가 (YES or NO)		YES
		120
		-40

### UL

(Group B) (AWG)	24~6
(Group C) (AWG)	24~6

**CUL**

(Group B) (AWG)	24~6
(Group C) (AWG)	24~6

**VDE**

(mm <sup>2</sup> )	1.5~10
(A)	57

