

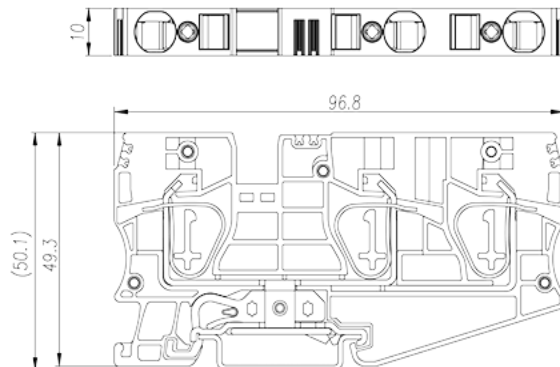
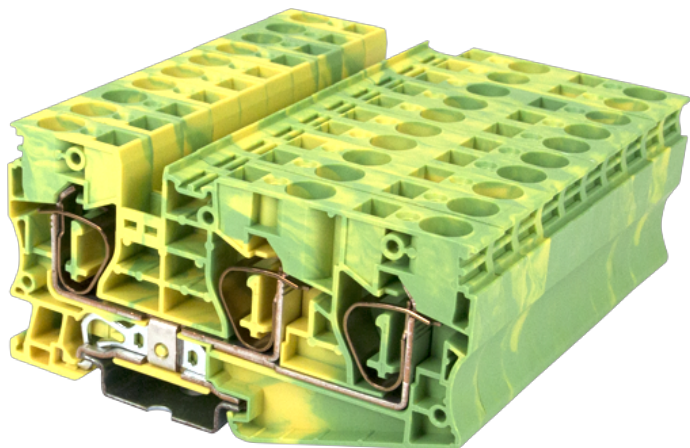
AK10-TN-PE

DIN

>

:2026-07-04

:1.1



Green-Yellow (default)

	DIN Rail terminal blocks, Grounding terminal blocks
	Grounding terminal blocks
	Green-Yellow (default)
	Spring Clamp Connection
	Rail Mounting
(mm)	96.8
(mm)	10
(mm)	49.3
	Single level
	3
	PA
	I
UL 94	V0
	500M at DC 500V

-IEC

(V)	800
(III/3)(V)	800
(II/2)(KV)	8
(III/2)(KV)	8
(III/3)(KV)	8
(mm ²)	1.5
(mm ²)	10
(mm ²)	1.5
(mm ²)	10
(mm ²) , ,	1.5
(mm ²) , ,	10
(mm ²) , ,	1.5
(mm ²) , ,	10
2 (mm ²) , ,	1.5
2 (mm ²) , ,	2.5
Width)(mm) (Blade thickness x	1.0x5.5
	18
	TS-35
	YES
	YES

-UL

(UL/CUL Group B)(V)	600
(UL/CUL Group C)(V)	600
UL/CUL AWG	24
UL/CUL AWG	6
UL/CUL AWG	24
UL/CUL AWG	6

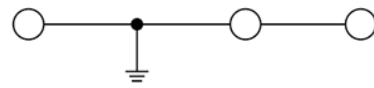
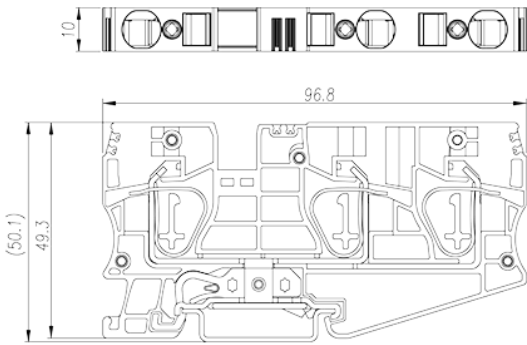
&

(YES or NO)	YES
-------------	-----

가 (YES or NO)	YES
	120
	-40

VDE

(mm ²)	1.5~10
(V)	800



circuit diagram

