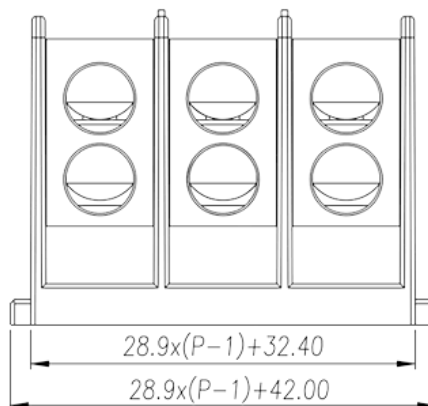


# 0220-12XX

NEMA

>

:2026-07-04



Pitch : 28.90mm, 600V, 335A

	Barrier terminals blocks, Panel Mounting
	Panel Mounting
(mm)	28.90
	Black (default)
	Screw connection
	Panel mounting
(mm)	$28.9 * (P-1) + 42.00$
(mm)	104.6
(mm)	74
	PBT
	IIIa
UL 94	V0
	Aluminum Alloy
	Ni Plated

-IEC



(V)		1000
(A)		225
(II/2)(V)		1000
(III/2)(V)		1000
(III/3)(V)		1000
(II/2)(KV)		8
(III/2)(KV)		8
(III/3)(KV)		8
(mm <sup>2</sup> )		16
(mm <sup>2</sup> )		120
(mm <sup>2</sup> )		16
(mm <sup>2</sup> )		120
(mm <sup>2</sup> )	,	16
(mm <sup>2</sup> )	,	16
2	(mm <sup>2</sup> )	16
2	(mm <sup>2</sup> )	16
		M8
Width)(mm)	(Blade thickness x	1.0x5.5
Philips		PH3
(N.m)		Front : 38.4N · mBack : 14.2N · m
(N.m)		3.5
(N.m)		4.2
		Upperlayer 24~25mmUnderlayer 44~45mm

**-UL**

(UL/CUL Group B)(V)		600
(UL/CUL Group B)(A)		335
(UL/CUL Group C)(V)		600
(UL/CUL Group C)(A)		335
UL/CUL	AWG	6
UL/CUL	AWG	250 kcmil
UL/CUL	AWG	6
UL/CUL	AWG	250 kcmil

&amp;

(YES or NO)	YES
가 (YES or NO)	NO
	130
	-40

UL

(Group B)(AWG)	6~250 kcmil
(Group B)(V)	600
(Group B)(A)	335
(Group C)(AWG)	6~250 kcmil
(Group C)(V)	600
(Group C)(A)	335

CUL

(Group B)(AWG)	6~250 kcmil
(Group B)(V)	600
(Group B)(A)	335
(Group C)(AWG)	6~250 kcmil
(Group C)(V)	600
(Group C)(A)	335

