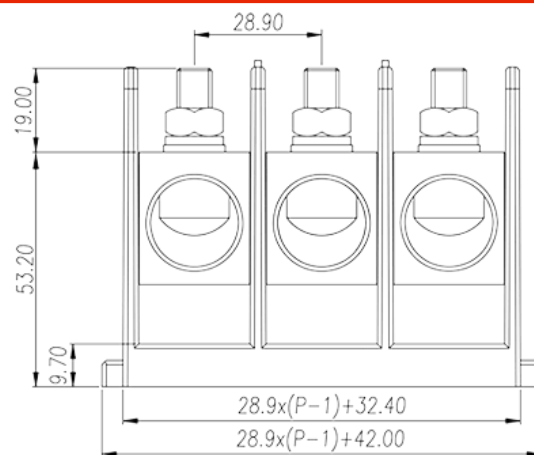


# 0220-13XX

NEMA

>

:2026-07-04



Pitch : 28.90mm, 1000V, 310A

	Barrier terminals blocks, Panel Mounting
	Panel Mounting
(mm)	28.90
	Black (default)
	Screw connection
	Panel mounting
(mm)	$28.9 * (P - 1) + 42.00$
(mm)	104.6
(mm)	74
	PBT
	IIIa
UL 94	V0
	Copper Alloy
	Ni Plated

-IEC



(V)		1000
(A)		275
(II/2)(V)		1000
(III/2)(V)		1000
(III/3)(V)		1000
(II/2)(KV)		8
(III/2)(KV)		8
(III/3)(KV)		8
(mm <sup>2</sup> )		50
(mm <sup>2</sup> )		185
(mm <sup>2</sup> )		50
(mm <sup>2</sup> )		185
		M8
Width)(mm)	(Blade thickness x	1.0x5.5
Philips		PH3
(N.m)		Front : 40N · mBack : 13.9N · m
(N.m)		3.5
(N.m)		4.2
		25~26mm

**-UL**

(UL/CUL Group C)(V)		1000
(UL/CUL Group C)(A)		310
(UL/CUL Group D)(V)		1000
(UL/CUL Group D)(A)		310

**&**

(YES or NO)		YES
가 (YES or NO)		NO
		130
		-40

**UL**

(Group E)(AWG)		1/0~350kcmil
----------------	--	--------------

(Group E) (V)	1000
(Group E) (A)	310

CUL

(Group E) (AWG)	1/0AWG~350kcmil
(Group E) (V)	1000
(Group E) (A)	310

