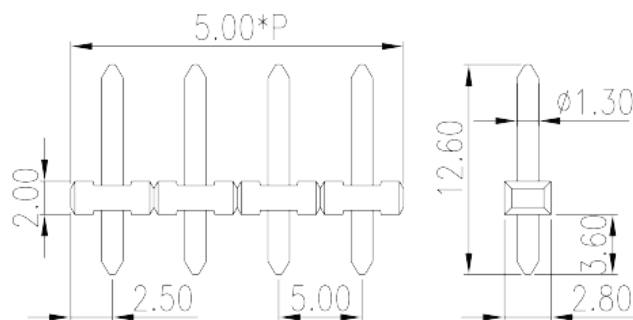


EDH130F- XXTH126

PCB > PCB -

:2026-07-05 :V1



Pitch : 5.00 mm, 300V, 7A

	PCB Connector – Socket, Reflow soldering
	PCB Connector – Socket
(mm)	5.00
	Black (default)
	Without
	Reflow Soldering (Temperature condition according to standard IPC/JEDEC J-STD-020E)
(mm)	5.00*(P-1)+5.0
(mm)	2.8
(mm)	12.6
(x) (mm)	1.3
PCB (mm)	2
()	02P~20P
	Single level



	HIGH-TEMPERATURE PLASTICS
UL 94	V0
	500M at DC 500V
	COPPER ALLOY
	Tin PLATED
MSL	4

-IEC

(V)	320
(A)	8
(II/2)(V)	320
(III/2)(V)	320
(III/3)(V)	200
(II/2)(KV)	4
(III/2)(KV)	4
(III/3)(KV)	4

-UL

(UL/CUL Group B)(V)	300
(UL/CUL Group B)(A)	7
(UL/CUL Group D)(V)	300
(UL/CUL Group D)(A)	7

&

가 (YES or NO)	NO
	120
	-40

UL

(Group B)(V)	300
(Group B)(A)	7
(Group D)(V)	300
(Group D)(A)	7

CUL

--	--

(Group B)(V)	300
(Group B)(A)	7
(Group D)(V)	300
(Group D)(A)	7

