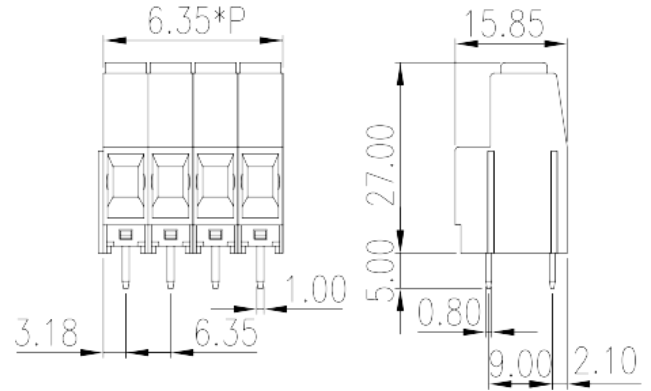
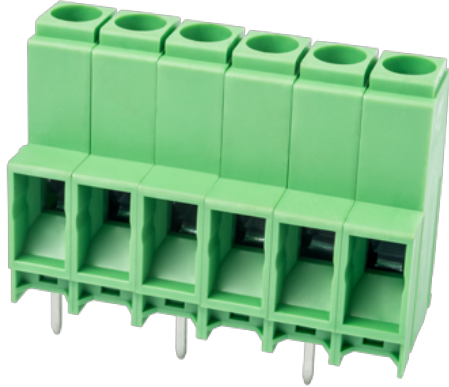


# EPK635VN-XXP

PCB &gt; PCB

:2026-07-04 :V1



Pitch : 6.35mm, 600V, 35A

		PCB Terminal Blocks, Screw Connection
		PCB Terminal Blocks
(mm)		6.35
		Green (default)
		Screw Connection
		Without
(mm)		$6.35 * (P-1) + 6.35$
(mm)		15.85
(mm)		25.5
( ) x ( ) (mm)		0.8x1.0
PCB (mm)		1.5~1.6
( )		02P~16P
		Single level
		PA
		I
UL 94		V0



	500M at DC 500V
	COPPER ALLOY
	Tin PLATED

**-IEC**

(V)	1000
(A)	41
(II/2)(V)	1000
(III/2)(V)	1000
(III/3)(V)	630
(II/2)(KV)	8
(III/2)(KV)	8
(III/3)(KV)	8
(mm <sup>2</sup> )	0.2
(mm <sup>2</sup> )	6
(mm <sup>2</sup> )	0.2
(mm <sup>2</sup> )	6
(mm <sup>2</sup> ) , ,	0.25
(mm <sup>2</sup> ) , ,	4
(mm <sup>2</sup> ) , ,	0.25
(mm <sup>2</sup> ) , ,	4
2 (mm <sup>2</sup> )	0.2
2 (mm <sup>2</sup> )	2.5
2 (mm <sup>2</sup> )	0.2
2 (mm <sup>2</sup> )	2.5
(mm <sup>2</sup> ) 2 , ,	0.25
(mm <sup>2</sup> ) 2 , ,	1.5
2 (mm <sup>2</sup> ) , ,	0.5
2 (mm <sup>2</sup> ) , ,	2.5
	M3



Width)(mm)	(Blade thickness x	0.8x4.0
	(N.m)	0.5
		9~10

**-UL**

(UL/CUL Group B)(V)		600
(UL/CUL Group B)(A)		35
(UL/CUL Group C)(V)		600
(UL/CUL Group C)(A)		35
(UL/CUL Group D)(V)		600
(UL/CUL Group D)(A)		5
UL/CUL	AWG	18
UL/CUL	AWG	8
UL/CUL	AWG	18
UL/CUL	AWG	8

**&**

가	(YES or NO)	YES
		120
		-40

**UL**

(Group B)(AWG)		18~8
(Group B)(V)		600
(Group B)(A)		35
(Group C)(AWG)		18~8
(Group C)(V)		600
(Group C)(A)		35
(Group D)(AWG)		18~8
(Group D)(V)		600
(Group D)(A)		5

**CUL**

(Group B)(AWG)		18~8
----------------	--	------

(Group B)(V)	600
(Group B)(A)	35
(Group C)(AWG)	18~8
(Group C)(V)	600
(Group C)(A)	35
(Group D)(AWG)	18~8
(Group D)(V)	600
(Group D)(A)	5

VDE

(mm <sup>2</sup> )	0.2~6
(V)	1000
(A)	41

