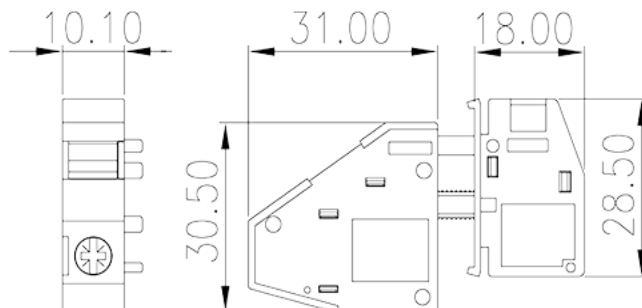
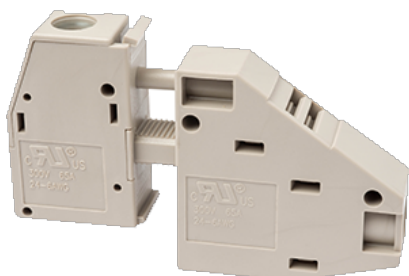


PPACNV-10Z

PCB >

:2026-07-05 :1.2



M4, 300V, 65A

	Panel Feed-Through, Screw Connection
	Panel Feed-Through
	Grey (default)
	Screw connection
	Without
(mm)	10.1
(mm)	31+18
(mm)	34.3
()	1P
	PA
	I
UL 94	V0
	500M at DC 500V
	COPPER ALLOY
	Tin PLATED

-IEC

(V)		400
(A)		76
(III/3)(V)		400
(III/3)(KV)		6
(mm ²)		0.2
(mm ²)		16
(mm ²)		0.2
(mm ²)		16
(mm ²)	,	0.25
(mm ²)	,	16
(mm ²)	,	0.25
(mm ²)	,	16
2	(mm ²)	0.5
2	(mm ²)	4
2	(mm ²)	0.5
2	(mm ²)	4
(mm ²)	2 ,	0.5
(mm ²)	2 ,	4
(mm ²)	2 ,	0.5
(mm ²)	2 ,	4
		M4
Width)(mm)	(Blade thickness x	1.0*5.5
Philips		PZ2
(N.m)		1.7
		10

-UL

(UL/CUL Group B)(V)		300
(UL/CUL Group B)(A)		65



(UL/CUL Group C)(V)		300
(UL/CUL Group C)(A)		65
(UL/CUL Group D)(V)		600
(UL/CUL Group D)(A)		5
UL/CUL	AWG	24
UL/CUL	AWG	6
UL/CUL	AWG	24
UL/CUL	AWG	6

&

(YES or NO)		YES
가 (YES or NO)		YES
		120
		-40

UL

(Group B)(AWG)		24~6
(Group B)(V)		300
(Group B)(A)		65
(Group C)(AWG)		24~6
(Group C)(V)		300
(Group C)(A)		65
(Group D)(AWG)		24~6
(Group D)(V)		300
(Group D)(A)		10

CUL

(Group B)(AWG)		24~6
(Group B)(V)		300
(Group B)(A)		65
(Group C)(AWG)		24~6
(Group C)(V)		300
(Group C)(A)		65
(Group D)(AWG)		24~6
(Group D)(V)		300

(Group D)(A)

10

