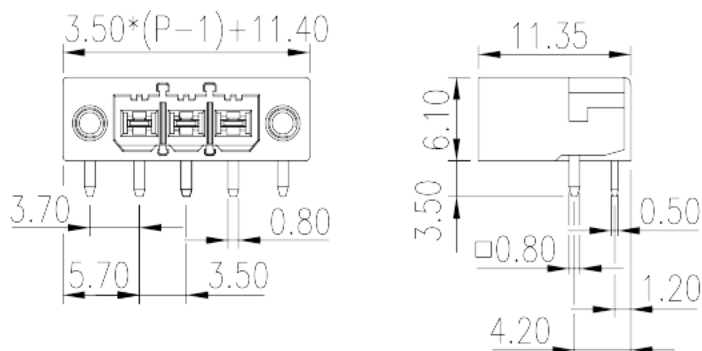


# 0225-16XX

PCB > PCB -

:2026-07-04 :1.2



Pitch : 3.50 mm, 300V, 8A

	PCB Connector – Socket, Wave soldering
	PCB Connector – Socket
(mm)	3.50
	Black (default)
	With threaded flange
	Wave soldering
(mm)	$3.50 \times (P-1) + 11.4$
(mm)	11.35
(mm)	6.1
( x ) (mm)	0.5x0.8
PCB (mm)	1.2
( )	02P~24P
	Single level
	PA
	I
UL 94	V0



	500M at DC 500V
	COPPER ALLOY
	Tin PLATED

**-IEC**

(V)	630
(A)	15
(II/2)(V)	630
(III/2)(V)	320
(III/3)(V)	250
(II/2)(KV)	4
(III/2)(KV)	4
(III/3)(KV)	4
(N.m)	0.1

**-UL**

(UL/CUL Group B)(V)	300
(UL/CUL Group B)(A)	8
(UL/CUL Group D)(V)	300
(UL/CUL Group D)(A)	8

**&**

가 (YES or NO)	YES
	120
	-40