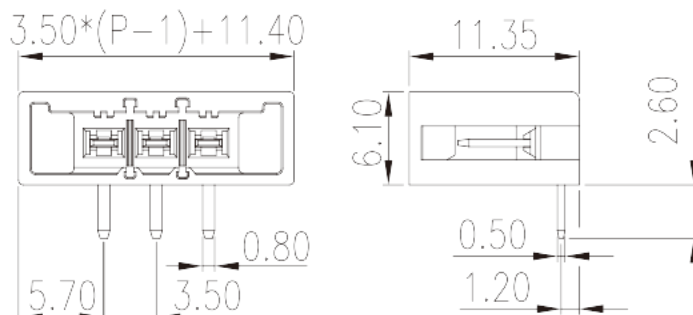


0225-26XXL

PCB > PCB -

:2026-06-10 :1.2



Pitch : 3.50 mm, 300V, 8A

	PCB Connector – Socket, Reflow soldering
	PCB Connector – Socket
(mm)	3.50
	Black (default)
	With lock flange
	Reflow Soldering (Temperature condition according to standard IPC/JEDEC J-STD-020E)
(mm)	$3.50 \times (P-1) + 11.4$
(mm)	11.35
(mm)	6.1
(x) (mm)	0.5x0.8
PCB (mm)	1.2
()	02P~24P
	Single level
	HIGH-TEMPERATURE PLASTICS
	I



UL 94	V0
	500M at DC 500V
	COPPER ALLOY
	Tin PLATED
MSL	2

-IEC

(V)	630
(A)	15
(II/2)(V)	630
(III/2)(V)	320
(III/3)(V)	250
(II/2)(KV)	4
(III/2)(KV)	4
(III/3)(KV)	4

-UL

(UL/CUL Group B)(V)	300
(UL/CUL Group B)(A)	8
(UL/CUL Group D)(V)	300
(UL/CUL Group D)(A)	8

&

가 (YES or NO)	YES
	120
	-40

UL

(Group B)(V)	300
(Group B)(A)	8
(Group D)(V)	300
(Group D)(A)	8

CUL

(Group B)(V)	300
--------------	-----

(Group B)(A)	8
(Group D)(V)	300
(Group D)(A)	8

