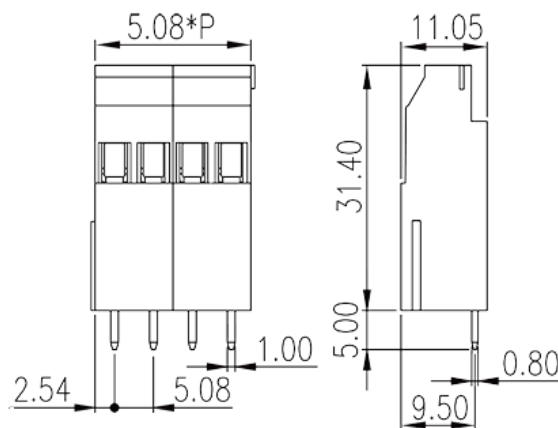


# E2HK508V- XXPAM

PCB > PCB

:2026-07-05 :V1



Pitch : 5.08mm, 300V, 25A(FW1)/20A(FW2)

		PCB Terminal Blocks, Screw Connection
		PCB Terminal Blocks
(mm)		5.08
		Green (default)
		Screw Connection
		Without
(mm)		$5.08 \times (P-1) + 5.08$
(mm)		11.05
(mm)		31.4
(    x    ) (mm)		0.8x1.0
PCB        (mm)		1.4~1.6
(    )		02P~16P
		Single level
		PA



	I
UL 94	V0
	500M at DC 500V
	COPPER ALLOY
	Tin PLATED

**-IEC**

(V)	320
(A)	24
(II/2)(V)	630
(III/2)(V)	320
(III/3)(V)	250
(II/2)(KV)	4
(III/2)(KV)	4
(III/3)(KV)	4
(mm <sup>2</sup> )	0.5
(mm <sup>2</sup> )	2.5
(mm <sup>2</sup> )	0.5
(mm <sup>2</sup> )	2.5
(mm <sup>2</sup> ) , ,	0.5
(mm <sup>2</sup> ) , ,	1.5
(mm <sup>2</sup> ) , ,	0.5
(mm <sup>2</sup> ) , ,	1.5
2 (mm <sup>2</sup> )	0.5
2 (mm <sup>2</sup> )	1
2 (mm <sup>2</sup> )	0.5
2 (mm <sup>2</sup> )	0.75
(mm <sup>2</sup> ) 2 , ,	0.5
(mm <sup>2</sup> ) 2 , ,	0.5
2 (mm <sup>2</sup> ) , ,	0.5
2 (mm <sup>2</sup> ) , ,	0.5

		M2.5
Width)(mm)	(Blade thickness x	0.6x3.5
	(N.m)	0.5
		6~7

### -UL

	(UL/CUL Group B)(V)	300
	(UL/CUL Group B)(A)	25(FW1)/20(FW2)
	(UL/CUL Group D)(V)	300
	(UL/CUL Group D)(A)	10
UL/CUL	AWG	24
UL/CUL	AWG	12
UL/CUL	AWG	24
UL/CUL	AWG	12

### &

가	(YES or NO)	YES
		120
		-40

### UL

	(Group B)(AWG)	24~12
	(Group B)(V)	300
	(Group B)(A)	25(FW1)/20(FW2)
	(Group D)(AWG)	24~12
	(Group D)(V)	300
	(Group D)(A)	10

### CUL

	(Group B)(AWG)	24~12
	(Group B)(V)	300
	(Group B)(A)	25(FW1)/20(FW2)
	(Group D)(AWG)	24~12
	(Group D)(V)	300

(Group D)(A)

10

