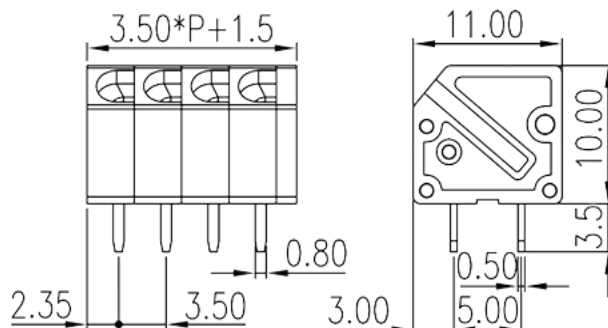
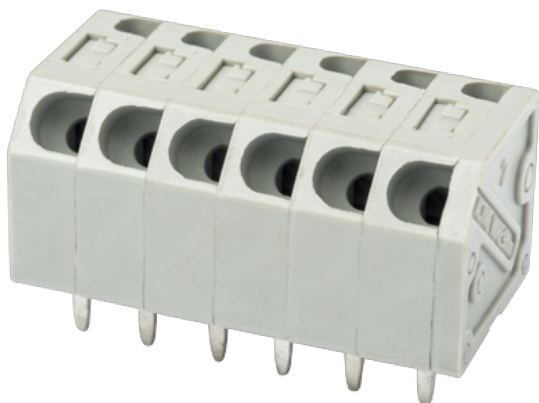


0137-41XX

PCB > PCB

:2026-07-05 :V1



Pitch : 3.50 mm, 300V, 5A

PCB Terminal Blocks, Push-in Design	
PCB Terminal Blocks	
(mm)	3.50
	Grey (default)
	Push in design
	Without
	Wave soldering
(mm)	$3.50 \times (P-1) + 1.50$
(mm)	11
(mm)	10
(x) (mm)	0.5x0.8
PCB (mm)	1.2
()	02P~24P
	Single level
	PA
	I



UL 94	V0
	500M at DC 500V
	COPPER ALLOY
	Tin PLATED

-IEC

(V)	160
(A)	17.5
(II/2)(V)	320
(III/2)(V)	160
(III/3)(V)	160
(II/2)(KV)	2.5
(III/2)(KV)	2.5
(III/3)(KV)	2.5
(mm ²)	0.2
(mm ²)	1.5
(mm ²)	0.5
(mm ²)	1.5
(mm ²) , ,	0.25
(mm ²) , ,	1
(mm ²) , ,	0.25
(mm ²) , ,	0.75
Width)(mm) (Blade thickness x	0.4x2.5
	9~10

-UL

(UL/CUL Group B)(V)	300
(UL/CUL Group B)(A)	5
(UL/CUL Group D)(V)	300
(UL/CUL Group D)(A)	5
UL/CUL AWG	26
UL/CUL AWG	16

UL/CUL	AWG	24
UL/CUL	AWG	20

&

가 (YES or NO)	YES
	120
	-40

VDE

(mm ²)	0.2~1.5
(V)	160
(A)	17.5

