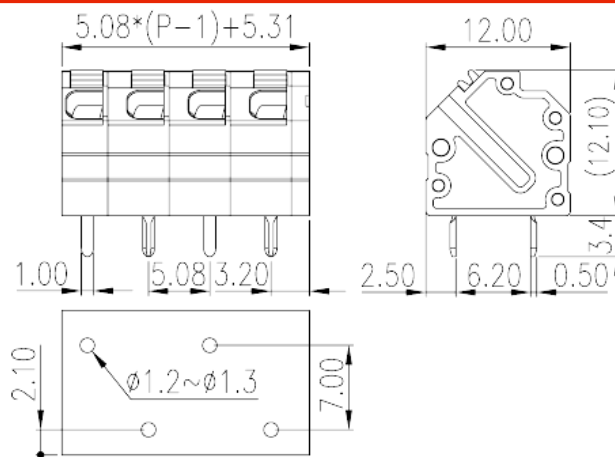


0141-21XX

PCB > PCB

:2026-07-05 :V1



Pitch : 5.08 mm, 300V, 10A

		PCB Terminal Blocks, Push-in Design
		PCB Terminal Blocks
(mm)		5.08
		Black (default)
		Push in design
		Without
		Wave soldering
(mm)		$5.08 * (P - 1) + 5.31$
(mm)		12
(mm)		12.1
() x () (mm)		0.5x1.0
PCB (mm)		1.2~1.3
()		02P~24P
		Single level
		PA
		I

UL 94	V0
	500M at DC 500V
	COPPER ALLOY
	Tin PLATED

-IEC

(V)	320
(A)	10
(II/2)(V)	1000
(III/2)(V)	630
(III/3)(V)	400
(II/2)(KV)	6
(III/2)(KV)	6
(III/3)(KV)	6
(mm ²)	0.2
(mm ²)	1.5
(mm ²)	0.2
(mm ²)	1.5
(mm ²) , ,	0.25
(mm ²) , ,	1
(mm ²) , ,	0.25
(mm ²) , ,	1
² (mm ²) , ,	0.5
² (mm ²) , ,	0.5
Width)(mm) (Blade thickness x	0.4x2.5
	9~10

-UL

(UL/CUL Group B)(V)	300
(UL/CUL Group B)(A)	10
(UL/CUL Group D)(V)	300

(UL/CUL Group D)(A)		10
UL/CUL	AWG	26
UL/CUL	AWG	16
UL/CUL	AWG	26
UL/CUL	AWG	16

&

가 (YES or NO)	YES
	120
	-40

VDE

(mm ²)	0.2~1.5
(V)	320
(A)	10

