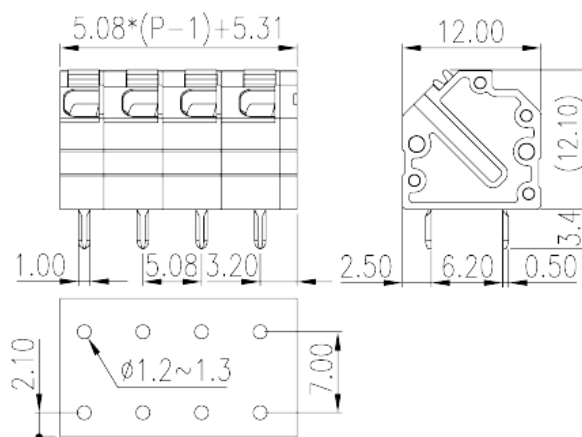
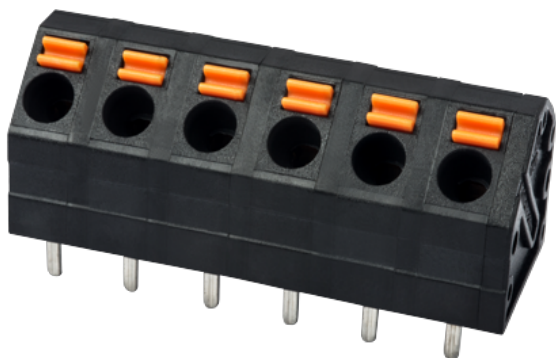


0141-24XX

PCB > PCB

:2026-05-14 :V1



Pitch : 5.08mm, 300V, 10A

PCB Terminal Blocks, Push-in Design	
PCB Terminal Blocks	
(mm)	5.08
	Black (default)
	Push in design
	Without
	Wave soldering
(mm)	$5.08 \times (P-1) + 5.31$
(mm)	12
(mm)	12.1
() x () (mm)	0.5x1.0
PCB (mm)	1.2~1.3
()	02P~24P
	Single level
	PA
	I



UL 94	V0
	500M at DC 500V
	COPPER ALLOY
	Tin PLATED

-IEC

(V)	320
(A)	10
(II/2)(V)	630
(III/2)(V)	320
(III/3)(V)	320
(II/2)(KV)	4
(III/2)(KV)	4
(III/3)(KV)	4
(mm ²)	0.2
(mm ²)	1.5
(mm ²)	0.2
(mm ²)	1.5
(mm ²) , ,	0.25
(mm ²) , ,	1
(mm ²) , ,	0.25
(mm ²) , ,	1
² (mm ²) , ,	0.5
² (mm ²) , ,	0.5
Width)(mm) (Blade thickness x	0.4x2.5
	9~10

-UL

(UL/CUL Group B)(V)	300
(UL/CUL Group B)(A)	10
(UL/CUL Group D)(V)	300

(UL/CUL Group D)(A)		10
UL/CUL	AWG	26
UL/CUL	AWG	16
UL/CUL	AWG	26
UL/CUL	AWG	16

&

가 (YES or NO)	YES
	120
	-40

VDE

(mm ²)	0.2~1.5
(V)	320
(A)	10

