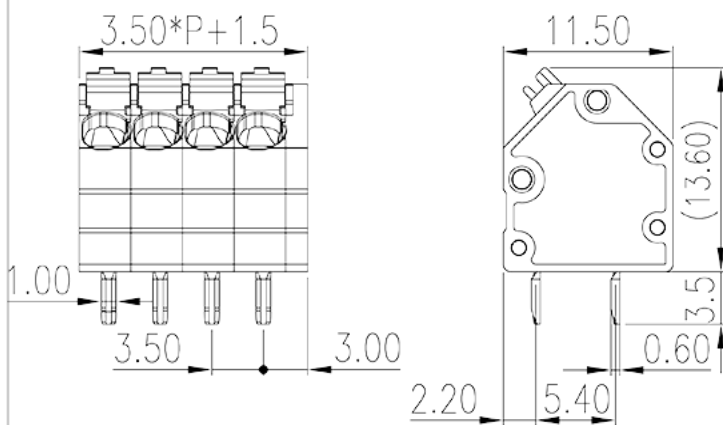
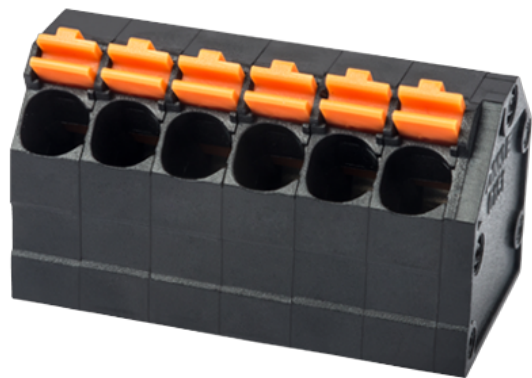


# 0151-01XX

PCB &gt; PCB

:2026-07-05 :V1



Pitch : 3.50mm, 300V, 9A

| PCB Terminal Blocks, Push-in Design |                  |
|-------------------------------------|------------------|
| PCB Terminal Blocks                 |                  |
| (mm)                                | 3.50             |
|                                     | Black (default)  |
|                                     | Push in Design   |
|                                     | Without          |
|                                     | Wave soldering   |
| (mm)                                | $3.50 * P + 1.5$ |
| (mm)                                | 11.5             |
| (mm)                                | 13.6             |
| ( ) x ( ) (mm)                      | 0.6x1.0          |
| PCB (mm)                            | 1.2~1.3          |
| ( )                                 | 02P~24P          |
|                                     | Single level     |
|                                     | PA               |
|                                     | I                |

|       |                 |
|-------|-----------------|
| UL 94 | V0              |
|       | 500M at DC 500V |
|       | COPPER ALLOY    |
|       | Tin PLATED      |

### -IEC

|                               |         |
|-------------------------------|---------|
| (V)                           | 320     |
| (A)                           | 14      |
| (II/2)(V)                     | 630     |
| (III/2)(V)                    | 320     |
| (III/3)(V)                    | 320     |
| (II/2)(KV)                    | 4       |
| (III/2)(KV)                   | 4       |
| (III/3)(KV)                   | 4       |
| (mm <sup>2</sup> )            | 0.2     |
| (mm <sup>2</sup> )            | 1.5     |
| (mm <sup>2</sup> )            | 0.2     |
| (mm <sup>2</sup> )            | 1.5     |
| (mm <sup>2</sup> ) , ,        | 0.25    |
| (mm <sup>2</sup> ) , ,        | 1.5     |
| (mm <sup>2</sup> ) , ,        | 0.25    |
| (mm <sup>2</sup> ) , ,        | 0.75    |
| Width)(mm) (Blade thickness x | 0.4x2.5 |
|                               | 10~11   |

### -UL

|                     |     |
|---------------------|-----|
| (UL/CUL Group B)(V) | 300 |
| (UL/CUL Group B)(A) | 9   |
| (UL/CUL Group D)(V) | 300 |
| (UL/CUL Group D)(A) | 9   |
| UL/CUL AWG          | 28  |
| UL/CUL AWG          | 16  |



|        |     |    |
|--------|-----|----|
| UL/CUL | AWG | 28 |
| UL/CUL | AWG | 16 |

&

|   |             |     |
|---|-------------|-----|
| 가 | (YES or NO) | YES |
|   |             | 120 |
|   |             | -40 |

### UL

|                |  |       |
|----------------|--|-------|
| (Group B)(AWG) |  | 28~16 |
| (Group B)(V)   |  | 300   |
| (Group B)(A)   |  | 9     |
| (Group D)(AWG) |  | 28~16 |
| (Group D)(V)   |  | 300   |
| (Group D)(A)   |  | 9     |

### CUL

|                |  |       |
|----------------|--|-------|
| (Group B)(AWG) |  | 28~16 |
| (Group B)(V)   |  | 300   |
| (Group B)(A)   |  | 9     |
| (Group D)(AWG) |  | 28~16 |
| (Group D)(V)   |  | 300   |
| (Group D)(A)   |  | 9     |

### VDE

|                    |  |         |
|--------------------|--|---------|
| (mm <sup>2</sup> ) |  | 0.2~1.5 |
| (V)                |  | 320     |
| (A)                |  | 14      |

|  |  |  |
|--|--|--|
|  |  |  |
|--|--|--|

