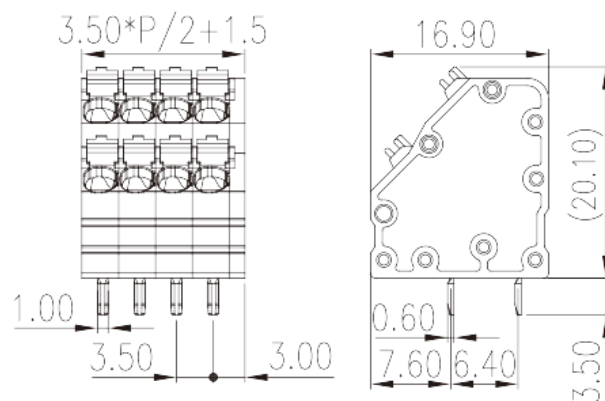


0151-02XX

PCB > PCB

:2026-05-14 :V1



Pitch : 3.50mm, 300V, 9A

| PCB Terminal Blocks, Push-in Design | |
|-------------------------------------|---------------------------|
| PCB Terminal Blocks | |
| (mm) | 3.50 |
| | Black (default) |
| | Push in Design |
| | Without |
| | Wave soldering |
| (mm) | $3.50 \times (P/2) + 1.5$ |
| (mm) | 16.9 |
| (mm) | 20.1 |
| () x () (mm) | 0.6x1.0 |
| PCB (mm) | 1.2~1.3 |
| () | 04P~48P |
| | Double level |
| | PA |
| | I |



| | |
|-------|-----------------|
| UL 94 | V0 |
| | 500M at DC 500V |
| | COPPER ALLOY |
| | Tin PLATED |

-IEC

| | |
|-------------------------------|---------|
| (V) | 160 |
| (A) | 14 |
| (II/2)(V) | 320 |
| (III/2)(V) | 160 |
| (III/3)(V) | 160 |
| (II/2)(KV) | 2.5 |
| (III/2)(KV) | 2.5 |
| (III/3)(KV) | 2.5 |
| (mm ²) | 0.2 |
| (mm ²) | 1.5 |
| (mm ²) | 0.2 |
| (mm ²) | 1.5 |
| (mm ²) , , | 0.25 |
| (mm ²) , , | 1.5 |
| (mm ²) , , | 0.25 |
| (mm ²) , , | 0.75 |
| Width)(mm) (Blade thickness x | 0.4x2.5 |
| | 10~11 |

-UL

| | |
|---------------------|-----|
| (UL/CUL Group B)(V) | 300 |
| (UL/CUL Group B)(A) | 9 |
| (UL/CUL Group D)(V) | 300 |
| (UL/CUL Group D)(A) | 9 |
| UL/CUL AWG | 28 |
| UL/CUL AWG | 16 |



| | | |
|--------|-----|----|
| UL/CUL | AWG | 28 |
| UL/CUL | AWG | 16 |

&

| | | |
|---|-------------|-----|
| 가 | (YES or NO) | YES |
| | | 120 |
| | | -40 |

UL

| | | |
|----------------|--|-------|
| (Group B)(AWG) | | 28~16 |
| (Group B)(V) | | 300 |
| (Group B)(A) | | 9 |
| (Group D)(AWG) | | 28~16 |
| (Group D)(V) | | 300 |
| (Group D)(A) | | 9 |

CUL

| | | |
|----------------|--|-------|
| (Group B)(AWG) | | 28~16 |
| (Group B)(V) | | 300 |
| (Group B)(A) | | 9 |
| (Group D)(AWG) | | 28~16 |
| (Group D)(V) | | 300 |
| (Group D)(A) | | 9 |

VDE

| | | |
|--------------------|--|---------|
| (mm ²) | | 0.2~1.5 |
| (V) | | 160 |
| (A) | | 14 |

| | | |
|--|--|--|
| | | |
|--|--|--|

