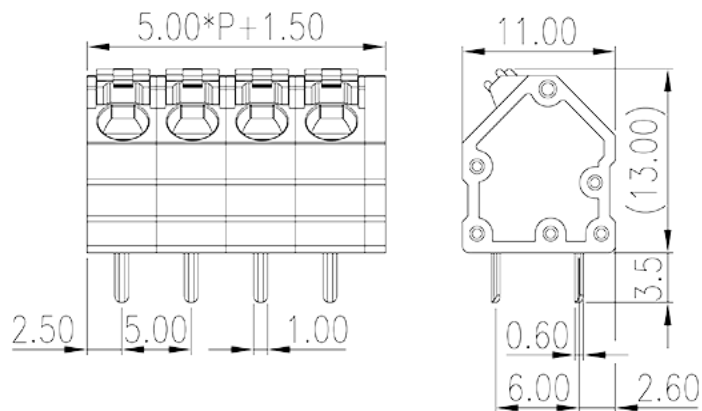


0152-01XX

PCB > PCB

:2026-07-05 :V1



Pitch : 5.00mm, 300V, 10A

PCB Terminal Blocks, Push-in Design	
PCB Terminal Blocks	
(mm)	5.00
	Black (default)
	Push in Design
	Without
	Wave soldering
(mm)	5.00*P+1.5
(mm)	11
(mm)	13
(x) (mm)	0.6x1.0
PCB (mm)	1.3
()	02P~24P
	Single level
	PA
	I

UL 94	V0
	500M at DC 500V
	COPPER ALLOY
	Tin PLATED

-IEC

(V)	320
(A)	17.5
(II/2)(V)	630
(III/2)(V)	320
(III/3)(V)	320
(II/2)(KV)	4
(III/2)(KV)	4
(III/3)(KV)	4
(mm ²)	0.2
(mm ²)	1.5
(mm ²)	0.2
(mm ²)	1.5
(mm ²) , ,	0.25
(mm ²) , ,	1
(mm ²) , ,	0.25
(mm ²) , ,	1
² (mm ²) , ,	0.5
² (mm ²) , ,	0.5
Width)(mm) (Blade thickness x	0.6x3.5
	8~9

-UL

(UL/CUL Group B)(V)	300
(UL/CUL Group B)(A)	10
(UL/CUL Group D)(V)	300



(UL/CUL Group D)(A)		10
UL/CUL	AWG	28
UL/CUL	AWG	16
UL/CUL	AWG	28
UL/CUL	AWG	16

&

가	(YES or NO)	YES
		120
		-40

UL

(Group B)(AWG)		28~16
(Group B)(V)		300
(Group B)(A)		10
(Group D)(AWG)		28~16
(Group D)(V)		300
(Group D)(A)		10

CUL

(Group B)(AWG)		28~16
(Group B)(V)		300
(Group B)(A)		10
(Group D)(AWG)		28~16
(Group D)(V)		300
(Group D)(A)		10

VDE

(mm ²)		0.2~1.5
(V)		320
(A)		17.5

--	--	--

