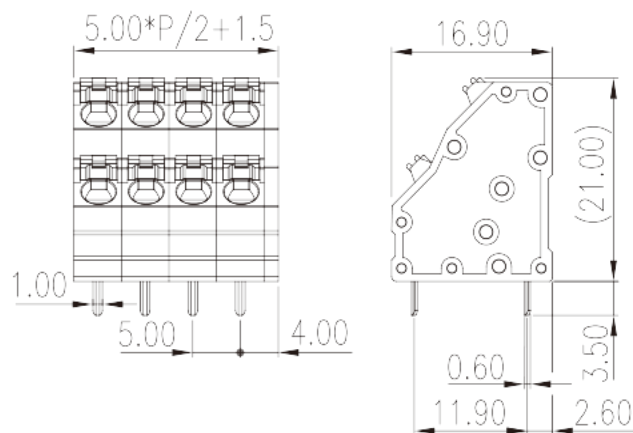


# 0152-02XX

PCB > PCB

:2026-07-05 :V1



Pitch : 5.00mm, 300V, 10A

PCB Terminal Blocks, Push-in Design	
PCB Terminal Blocks	
(mm)	5.00
	Black (default)
	Push in Design
	Without
	Wave soldering
(mm)	$5.00 \times (P/2) + 1.5$
(mm)	16.9
(mm)	21
( ) x ( ) (mm)	0.6x1.0
PCB (mm)	1.3
( )	04P~48P
	Double level
	PA
	I



UL 94	V0
	500M at DC 500V
	COPPER ALLOY
	Tin PLATED

**-IEC**

(V)	320
(A)	17.5
(II/2)(V)	630
(III/2)(V)	320
(III/3)(V)	320
(II/2)(KV)	4
(III/2)(KV)	4
(III/3)(KV)	4
(mm <sup>2</sup> )	0.2
(mm <sup>2</sup> )	1.5
(mm <sup>2</sup> )	0.2
(mm <sup>2</sup> )	1.5
(mm <sup>2</sup> ) , ,	0.25
(mm <sup>2</sup> ) , ,	1
(mm <sup>2</sup> ) , ,	0.25
(mm <sup>2</sup> ) , ,	1
<sup>2</sup> (mm <sup>2</sup> ) , ,	0.5
<sup>2</sup> (mm <sup>2</sup> ) , ,	0.5
Width)(mm) (Blade thickness x	0.6x3.5
	8~9

**-UL**

(UL/CUL Group B)(V)	300
(UL/CUL Group B)(A)	10
(UL/CUL Group D)(V)	300



(UL/CUL Group D)(A)		10
UL/CUL	AWG	28
UL/CUL	AWG	16
UL/CUL	AWG	28
UL/CUL	AWG	16

&

가	(YES or NO)	YES
		120
		-40

### UL

(Group B)(AWG)		28~16
(Group B)(V)		300
(Group B)(A)		10
(Group D)(AWG)		28~16
(Group D)(V)		300
(Group D)(A)		10

### CUL

(Group B)(AWG)		28~16
(Group B)(V)		300
(Group B)(A)		10
(Group D)(AWG)		28~16
(Group D)(V)		300
(Group D)(A)		10

### VDE

(mm <sup>2</sup> )		0.2~1.5
(V)		320
(A)		17.5

--	--	--

