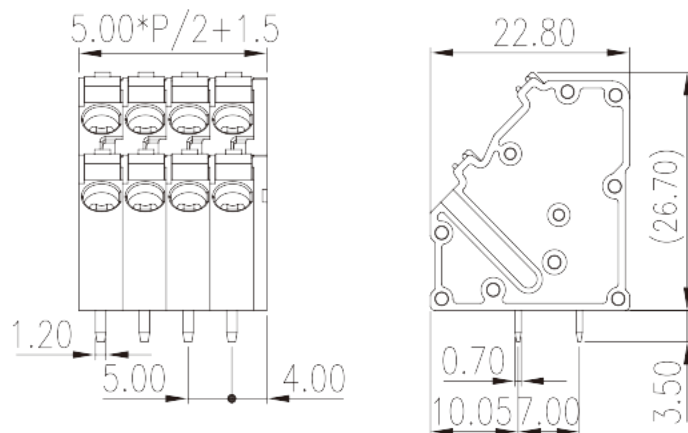


0153-02XX

PCB > PCB

:2026-07-05 :V1



Pitch : 5.00mm, 300V, 20A

PCB Terminal Blocks, Push-in Design	
PCB Terminal Blocks	
(mm)	5.00
	Black (default)
	Push in Design
	Without
	Wave soldering
(mm)	$5.00 * (P/2) + 1.5$
(mm)	22.8
(mm)	26.7
(x) (mm)	0.7x1.2
PCB (mm)	1.0x1.8
()	04P~48P
	Double level
	PA
	I



UL 94	V0
	500M at DC 500V
	COPPER ALLOY
	Tin PLATED

-IEC

(V)	320
(A)	24
(II/2)(V)	630
(III/2)(V)	320
(III/3)(V)	320
(II/2)(KV)	4
(III/2)(KV)	4
(III/3)(KV)	4
(mm ²)	0.2
(mm ²)	2.5
(mm ²)	0.2
(mm ²)	2.5
(mm ²) , ,	0.25
(mm ²) , ,	2.5
(mm ²) , ,	0.25
(mm ²) , ,	2.5
² (mm ²) , ,	0.5
² (mm ²) , ,	1.5
Width)(mm) (Blade thickness x	0.6x3.5
	12~14

-UL

(UL/CUL Group B)(V)	300
(UL/CUL Group B)(A)	20
(UL/CUL Group D)(V)	300



(UL/CUL Group D)(A)		10
UL/CUL	AWG	24
UL/CUL	AWG	12
UL/CUL	AWG	24
UL/CUL	AWG	12

&

가	(YES or NO)	YES
		120
		-40

UL

(Group B)(AWG)		24~12
(Group B)(V)		300
(Group B)(A)		20
(Group D)(AWG)		24~12
(Group D)(V)		300
(Group D)(A)		10

CUL

(Group B)(AWG)		24~12
(Group B)(V)		300
(Group B)(A)		20
(Group D)(AWG)		24~12
(Group D)(V)		300
(Group D)(A)		10

VDE

(mm ²)		0.2~2.5
(V)		320
(A)		24

