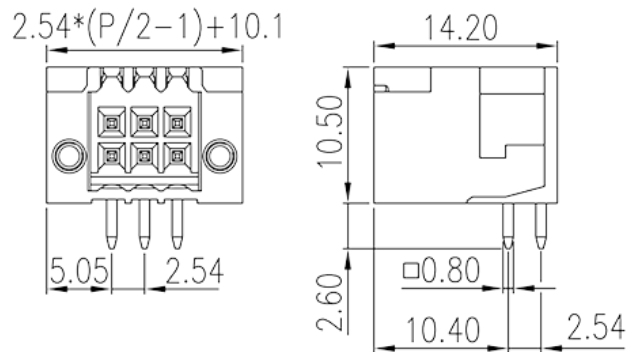


0156-17XXL

PCB > PCB -

:2026-07-05 :V1



Pitch : 2.54 mm, 150V, 5A

	PCB Connector – Socket, Reflow soldering
	PCB Connector – Socket
(mm)	2.54
	Black (default)
	With threaded flange / With lock flange
	Reflow Soldering (Temperature condition according to standard IPC/JEDEC J-STD-020E)
(mm)	$2.54 * (P/2 - 1) + 10.1$
(mm)	14.2
(mm)	10.5
(x) (mm)	0.8x0.8
PCB (mm)	1.4
()	06P~44P
	Double level
	HIGH-TEMPERATURE PLASTICS
	IIIa



UL 94	V0
	500M at DC 500V
	COPPER ALLOY
	Tin PLATED
MSL	I

-IEC

(V)	160
(A)	6
(II/2)(V)	160
(III/2)(V)	160
(III/3)(V)	32
(II/2)(KV)	2.5
(III/2)(KV)	2.5
(III/3)(KV)	2.5

-UL

(UL/CUL Group B)(V)	150
(UL/CUL Group B)(A)	5

&

가 (YES or NO)	YES
	120
	-40

UL

(Group B)(V)	150
(Group B)(A)	5

CUL

(Group B)(V)	150
(Group B)(A)	5

