

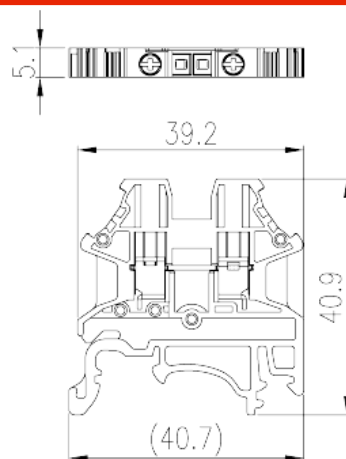
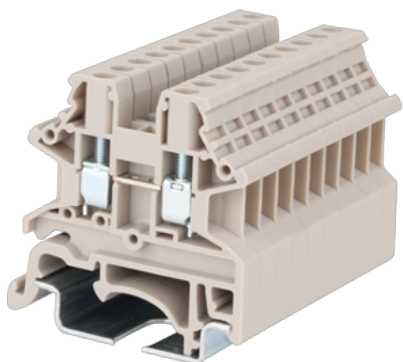
DK2.5N

DIN

>

:2026-07-04

:1.2



M2.5, 600V, 20A, Beige (default)

	Single Level Feed-through Terminal Block, Screw Connection
	Single Level Feed-through Terminal Block,
	Beige (default)
	Screw connection
	Rail mounting
(mm)	40.7
(mm)	5.1
(mm)	40.9
()	1P
	Single level
	2
	PA
	I
UL 94	V0
	500M at DC 500V

-IEC

(V)		1000
(A)		24
(III/3)(V)		1000
(III/3)(KV)		8
(mm ²)		0.14
(mm ²)		4
(mm ²)		0.14
(mm ²)		2.5
(mm ²)	,	0.25
(mm ²)	,	2.5
(mm ²)	,	0.25
(mm ²)	,	2.5
2	(mm ²)	0.14
2	(mm ²)	1.5
2	(mm ²)	0.14
2	(mm ²)	1.5
(mm ²) 2	,	0.25
(mm ²) 2	,	1.5
2	,	0.5
2	,	1.5
		M2.5
Width)(mm)	(Blade thickness x	0.6x3.5
Philips		PH1
(N.m)		0.4
(N.m)		0.5
		9~11
		TS-35、TS-35/15
		YES
		NO

-UL

(UL/CUL Group B)(V)		600
(UL/CUL Group B)(A)		20
(UL/CUL Group C)(V)		600
(UL/CUL Group C)(A)		20
(UL/CUL Group D)(V)		600
(UL/CUL Group D)(A)		5
UL/CUL	AWG	22
UL/CUL	AWG	12
UL/CUL	AWG	22
UL/CUL	AWG	12

&

(YES or NO)		YES
가 (YES or NO)		YES
		120
		-40

UL

(Group B)(AWG)		22~12
(Group B)(V)		600
(Group B)(A)		20
(Group C)(AWG)		22~12
(Group C)(V)		600
(Group C)(A)		20
(Group D)(AWG)		22~12
(Group D)(V)		600
(Group D)(A)		5

CUL

(Group B)(AWG)		22~12
(Group B)(V)		600
(Group B)(A)		20
(Group C)(AWG)		22~12

(Group C)(V)	600
(Group C)(A)	20
(Group D)(AWG)	22~12
(Group D)(V)	600
(Group D)(A)	5

VDE

(mm ²)	0.34~2.5
(V)	1000
(A)	24

(mm ²)	0.34~2.5
(V)	1000
(A)	24

