

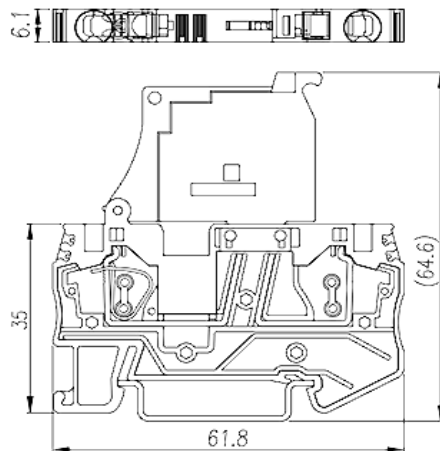
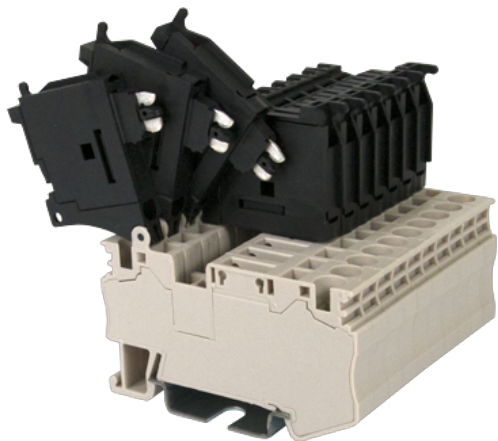
# AK4-TF

DIN

>

:2026-07-04

:1.1



300V, 11A, Beige (default)

	DIN Rail terminal blocks, Fuse terminal blocks
	Fuse terminal blocks
	Beige (default)
	Spring Clamp Connection
	Rail Mounting
(mm)	6.1
(mm)	61.8
(mm)	63.1
	Single level
	2
	PA
	I
UL 94	V0
	500M at DC 500V

-IEC

(II/2)(KV)	6
(III/2)(KV)	6
(III/3)(KV)	6
(mm <sup>2</sup> )	0.2
(mm <sup>2</sup> )	6
(mm <sup>2</sup> )	0.2
(mm <sup>2</sup> )	4
(mm <sup>2</sup> ) , ,	0.25
(mm <sup>2</sup> ) , ,	4
(mm <sup>2</sup> ) , ,	0.25
(mm <sup>2</sup> ) , ,	4
<sup>2</sup> (mm <sup>2</sup> ) , ,	0.5
<sup>2</sup> (mm <sup>2</sup> ) , ,	1
Width)(mm) (Blade thickness x	0.6x3.5
	10
	TS-35
	NO
	NO

### -UL

(UL/CUL Group B)(V)	300
(UL/CUL Group B)(A)	11
(UL/CUL Group C)(V)	300
(UL/CUL Group C)(A)	11
(UL/CUL Group D)(V)	600
(UL/CUL Group D)(A)	10
UL/CUL AWG	28
UL/CUL AWG	10
UL/CUL AWG	28
UL/CUL AWG	10

&



(YES or NO)	YES
가 (YES or NO)	YES
	120
	-40

UL

(Group B)(AWG)	28~10
(Group B)(V)	300
(Group B)(A)	11
(Group C)(AWG)	28~10
(Group C)(V)	300
(Group C)(A)	11
(Group D)(AWG)	28~10
(Group D)(V)	600
(Group D)(A)	10

CUL

(Group B)(AWG)	28~10
(Group B)(V)	300
(Group B)(A)	11
(Group C)(AWG)	28~10
(Group C)(V)	300
(Group C)(A)	11
(Group D)(AWG)	28~10
(Group D)(V)	600
(Group D)(A)	10

--	--

