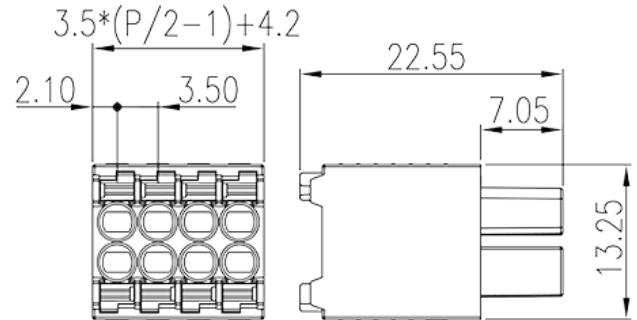
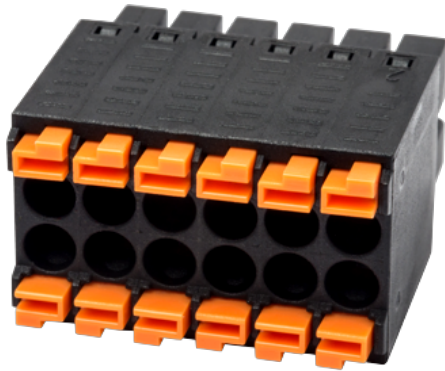


0159-03XX

PCB > PCB -

:2026-07-05 :1.1



Pitch : 3.50 mm, 300V, 8A

	PCB Connector – Plug, Push-in Design
	PCB Connector – Plug
(mm)	3.50
	Black (default)
	Push in Design
	Without
(mm)	$3.50 * (P/2 - 1) + 4.2$
(mm)	22.55
(mm)	13.25
()	04P~40P
	Double level
	PA
	I
UL 94	V0
	500M at DC 500V
	COPPER ALLOY

Tin PLATED

-IEC

(V)	250
(A)	8
(II/2)(V)	320
(III/2)(V)	160
(III/3)(V)	160
(II/2)(KV)	2.5
(III/2)(KV)	2.5
(III/3)(KV)	2.5
(mm ²)	0.2
(mm ²)	1.5
(mm ²)	0.2
(mm ²)	1.5
(mm ²) , ,	0.25
(mm ²) , ,	1.5
(mm ²) , ,	0.25
(mm ²) , ,	0.75
	9~10

-UL

(UL/CUL Group B)(V)	300
(UL/CUL Group B)(A)	8
UL/CUL AWG	24
UL/CUL AWG	16
UL/CUL AWG	24
UL/CUL AWG	16

&

가 (YES or NO)	YES
	120
	-40

UL

(Group B)(AWG)	24~16
(Group B)(V)	300
(Group B)(A)	8
(Group C)(AWG)	24~16
(Group C)(V)	50
(Group C)(A)	8
(Group D)(AWG)	24~16
(Group D)(V)	300
(Group D)(A)	8

CUL

(Group B)(AWG)	24~16
(Group B)(V)	300
(Group B)(A)	8
(Group C)(AWG)	24~16
(Group C)(V)	50
(Group C)(A)	8
(Group D)(AWG)	24~16
(Group D)(V)	300
(Group D)(A)	8

