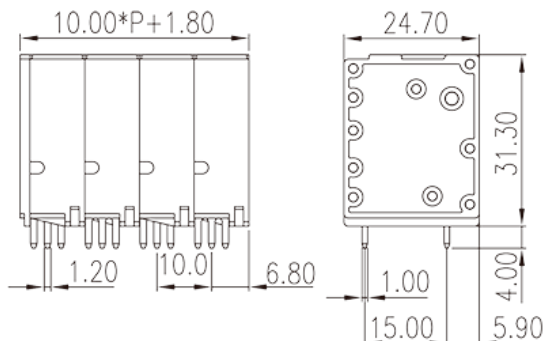


0177-08XX

PCB > PCB

:2026-05-14 :V1



Pitch : 10.00mm, 600V, 66A

		PCB Terminal Blocks, Push-in Design
		PCB Terminal Blocks
(mm)		10.00
		Black (default)
		Push in design
		Without
		Wave soldering
(mm)		10.00*(P-1)+11.8
(mm)		24.7
(mm)		31.3
() x () (mm)		1x1.2
PCB (mm)		1.7
()		02P~12P
		Single level
		PA
		I

UL 94	V0
	500M at DC 500V
	COPPER ALLOY
	Tin PLATED

-IEC

(V)	1000
(A)	76
(II/2)(V)	1000
(III/2)(V)	1000
(III/3)(V)	1000
(II/2)(KV)	8
(III/2)(KV)	8
(III/3)(KV)	8
(mm ²)	0.75
(mm ²)	16
(mm ²)	0.75
(mm ²)	16
(mm ²) , ,	0.75
(mm ²) , ,	16
(mm ²) , ,	0.75
(mm ²) , ,	10
² (mm ²) , ,	0.75
² (mm ²) , ,	4
Width)(mm) (Blade thickness x	1.0x5.5
	18~20

-UL

(UL/CUL Group B)(V)	600
(UL/CUL Group B)(A)	66
(UL/CUL Group C)(V)	600



(UL/CUL Group C)(A)		66
(UL/CUL Group D)(V)		600
(UL/CUL Group D)(A)		5
UL/CUL	AWG	20
UL/CUL	AWG	4
UL/CUL	AWG	20
UL/CUL	AWG	4

&

가	(YES or NO)	YES
		120
		-40

UL

(Group B)(AWG)		20~4
(Group B)(V)		600
(Group B)(A)		66
(Group C)(AWG)		20~4
(Group C)(V)		600
(Group C)(A)		66
(Group D)(AWG)		20~4
(Group D)(V)		600
(Group D)(A)		5

CUL

(Group B)(AWG)		20~4
(Group B)(V)		600
(Group B)(A)		66
(Group C)(AWG)		20~4
(Group C)(V)		600
(Group C)(A)		66
(Group D)(AWG)		20~4
(Group D)(V)		600
(Group D)(A)		5

VDE

(mm ²)	0.75~16
(V)	1000
(A)	76

