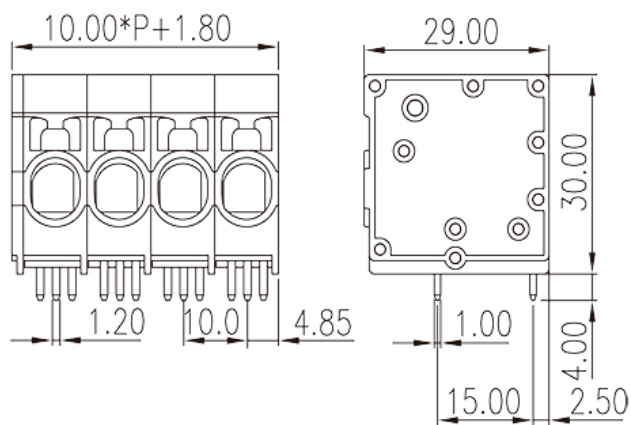


0177-06XX

PCB > PCB

:2026-07-05 :V1



Pitch : 10.00mm, 600V, 66A

PCB Terminal Blocks, Push-in Design	
PCB Terminal Blocks	
(mm)	10.00
	Black (default)
	Push in design
	Without
	Wave soldering
(mm)	$10.00 \times (P-1) + 11.8$
(mm)	29
(mm)	30
(x) (mm)	1x1.2
PCB (mm)	1.7
()	02P~12P
	Single level
	PA
	I



UL 94	V0
	500M at DC 500V
	COPPER ALLOY
	Tin PLATED

-IEC

(V)	1000
(A)	76
(II/2)(V)	1000
(III/2)(V)	1000
(III/3)(V)	1000
(II/2)(KV)	8
(III/2)(KV)	8
(III/3)(KV)	8
(mm ²)	0.75
(mm ²)	16
(mm ²)	0.75
(mm ²)	16
(mm ²) , ,	0.75
(mm ²) , ,	10
(mm ²) , ,	0.75
(mm ²) , ,	10
² (mm ²) , ,	0.75
² (mm ²) , ,	4
Width)(mm) (Blade thickness x	0.8x4
	18~20

-UL

(UL/CUL Group B)(V)	600
(UL/CUL Group B)(A)	66
(UL/CUL Group C)(V)	600

(UL/CUL Group C)(A)		66
(UL/CUL Group D)(V)		600
(UL/CUL Group D)(A)		5
UL/CUL	AWG	20
UL/CUL	AWG	4
UL/CUL	AWG	20
UL/CUL	AWG	4

&

가	(YES or NO)	YES
		120
		-40

UL

(Group B)(AWG)		20~4
(Group B)(V)		600
(Group B)(A)		66
(Group C)(AWG)		20~4
(Group C)(V)		600
(Group C)(A)		66
(Group D)(AWG)		20~4
(Group D)(V)		600
(Group D)(A)		5

CUL

(Group B)(AWG)		20~4
(Group B)(V)		600
(Group B)(A)		66
(Group C)(AWG)		20~4
(Group C)(V)		600
(Group C)(A)		66
(Group D)(AWG)		20~4
(Group D)(V)		600
(Group D)(A)		5

VDE

(mm ²)	0.75~16
(V)	1000
(A)	76

