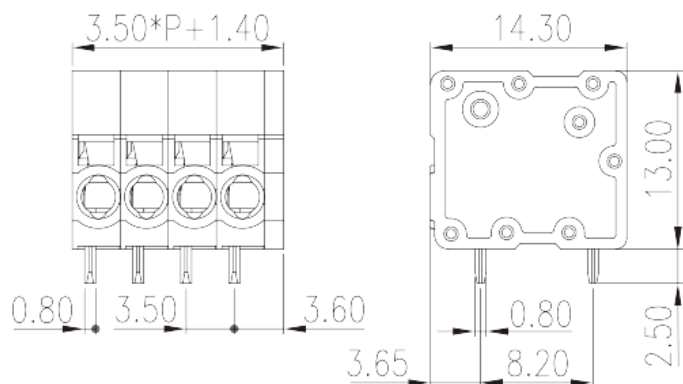


# 0177-31XX

PCB &gt; PCB

:2026-07-05 :V1



Pitch : 3.50mm, 300V, 10A

		PCB Terminal Blocks, Push-in Design
		PCB Terminal Blocks
(mm)		3.50
		Black (default)
		Push in design
		Without
		Wave soldering
(mm)		$3.50 * (P-1) + 4.9$
(mm)		14.3
(mm)		13
( ) x ( ) (mm)		0.8x0.8
PCB (mm)		1.2
( )		02P~24P
		Single level
		PA
		I



UL 94	V0
	500M at DC 500V
	COPPER ALLOY
	Tin PLATED

**-IEC**

(V)	320
(A)	17.5
(II/2)(V)	400
(III/2)(V)	320
(III/3)(V)	160
(II/2)(KV)	2.5
(III/2)(KV)	2.5
(III/3)(KV)	2.5
(mm <sup>2</sup> )	0.2
(mm <sup>2</sup> )	1.5
(mm <sup>2</sup> )	0.2
(mm <sup>2</sup> )	1.5
(mm <sup>2</sup> ) , ,	0.25
(mm <sup>2</sup> ) , ,	1.5
(mm <sup>2</sup> ) , ,	0.25
(mm <sup>2</sup> ) , ,	0.75
Width)(mm) (Blade thickness x	0.4x2.5
	9~10

**-UL**

(UL/CUL Group B)(V)	300
(UL/CUL Group B)(A)	10
(UL/CUL Group D)(V)	300
(UL/CUL Group D)(A)	10
UL/CUL AWG	26
UL/CUL AWG	16



UL/CUL	AWG	26
UL/CUL	AWG	16

&

가	(YES or NO)	YES
		120
		-40

### UL

(Group B)(AWG)		26~16
(Group B)(V)		300
(Group B)(A)		10
(Group D)(AWG)		26~16
(Group D)(V)		300
(Group D)(A)		10

### CUL

(Group B)(AWG)		26~16
(Group B)(V)		300
(Group B)(A)		10
(Group D)(AWG)		26~16
(Group D)(V)		300
(Group D)(A)		10

### VDE

(mm <sup>2</sup> )		0.2~1.5
(V)		320
(A)		17.5

--	--	--

