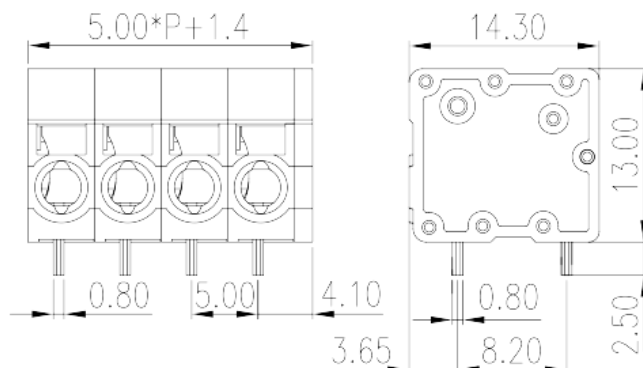


# 0177-51XX

PCB > PCB

:2026-03-30 :V1



Pitch : 5.00mm, 300V, 20A

		PCB Terminal Blocks, Push-in Design
		PCB Terminal Blocks
(mm)		5.00
		Black (default)
		Push in design
		Without
		Wave soldering
(mm)		$5.00 * (P - 1) + 6.4$
(mm)		14.3
(mm)		13
( ) x ( ) (mm)		0.8x0.8
PCB (mm)		1.3
( )		02P~24P
		Single level
		PA
		I

UL 94	V0
	500M at DC 500V
	COPPER ALLOY
	Tin PLATED

### -IEC

(V)	320
(A)	24
(II/2)(V)	630
(III/2)(V)	320
(III/3)(V)	320
(II/2)(KV)	4
(III/2)(KV)	4
(III/3)(KV)	4
(mm <sup>2</sup> )	0.2
(mm <sup>2</sup> )	4
(mm <sup>2</sup> )	0.2
(mm <sup>2</sup> )	2.5
(mm <sup>2</sup> ) , ,	0.2
(mm <sup>2</sup> ) , ,	2.5
(mm <sup>2</sup> ) , ,	0.2
(mm <sup>2</sup> ) , ,	1.5
Width)(mm) (Blade thickness x	0.5x3
	9~10

### -UL

(UL/CUL Group B)(V)	300
(UL/CUL Group B)(A)	20
(UL/CUL Group D)(V)	300
(UL/CUL Group D)(A)	10
UL/CUL AWG	26
UL/CUL AWG	12



UL/CUL	AWG	26
UL/CUL	AWG	12

&

가	(YES or NO)	YES
		120
		-40

### UL

(Group B)(AWG)		26~12
(Group B)(V)		300
(Group B)(A)		20
(Group D)(AWG)		26~12
(Group D)(V)		300
(Group D)(A)		10

### CUL

(Group B)(AWG)		26~12
(Group B)(V)		300
(Group B)(A)		20
(Group D)(AWG)		26~12
(Group D)(V)		300
(Group D)(A)		10

### VDE

(mm <sup>2</sup> )		0.2~2.5
(V)		320
(A)		24

--	--	--

