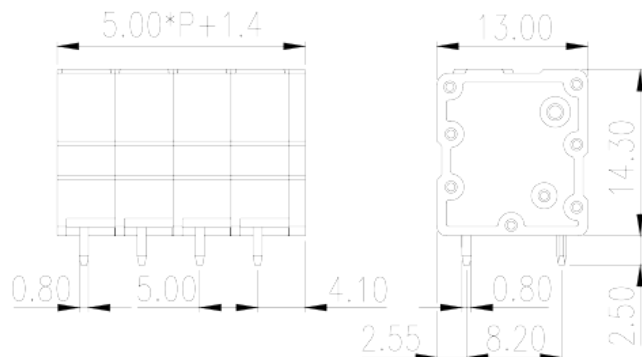
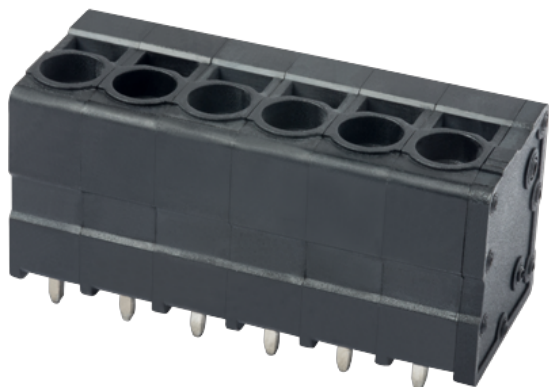


0177-53XX

PCB > PCB

:2026-07-05 :V1



Pitch : 5.00mm, 300V, 20A

PCB Terminal Blocks, Push-in Design	
PCB Terminal Blocks	
(mm)	5.00
	Black (default)
	Push in design
	Without
	Wave soldering
(mm)	$5.00 \times (P-1) + 6.4$
(mm)	13
(mm)	14.3
(x) (mm)	0.8x0.8
PCB (mm)	1.3
()	02P~24P
	Single level
	PA
	I



UL 94	V0
	500M at DC 500V
	COPPER ALLOY
	Tin PLATED

-IEC

(V)	320
(A)	24
(II/2)(V)	630
(III/2)(V)	320
(III/3)(V)	320
(II/2)(KV)	4
(III/2)(KV)	4
(III/3)(KV)	4
(mm ²)	0.2
(mm ²)	4
(mm ²)	0.2
(mm ²)	2.5
(mm ²)	0.5
(mm ²)	2.5
(mm ²)	0.2
(mm ²)	1.5
Width)(mm) (Blade thickness x	0.5x3
	9~10

-UL

(UL/CUL Group B)(V)	300
(UL/CUL Group B)(A)	20
(UL/CUL Group D)(V)	300
(UL/CUL Group D)(A)	10
UL/CUL AWG	26
UL/CUL AWG	12



UL/CUL	AWG	26
UL/CUL	AWG	12

&

가	(YES or NO)	YES
		120
		-40

UL

(Group B)(AWG)		26~12
(Group B)(V)		300
(Group B)(A)		20
(Group D)(AWG)		26~12
(Group D)(V)		300
(Group D)(A)		10

CUL

(Group B)(AWG)		26~12
(Group B)(V)		300
(Group B)(A)		20
(Group D)(AWG)		26~12
(Group D)(V)		300
(Group D)(A)		10

VDE

(mm ²)		0.2~2.5
(V)		320
(A)		24

--	--	--

