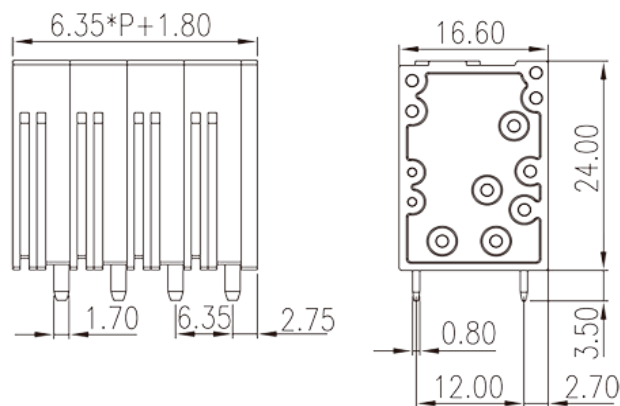


0177-78XX

PCB > PCB

:2026-05-14 :V1



Pitch : 6.35mm, 600V, 25A

		PCB Terminal Blocks, Push-in Design
		PCB Terminal Blocks
(mm)		6.35
		Black (default)
		Push in design
		Without
		Wave soldering
(mm)		$6.35*(P-1) + 8.15$
(mm)		16.6
(mm)		24
() x () (mm)		0.8x1.7
PCB (mm)		1.2x2.7
()		02P~16P
		Single level
		PA
		I



UL 94	V0
	500M at DC 500V
	COPPER ALLOY
	Tin PLATED

-IEC

(V)	1000
(A)	32
(II/2)(V)	1000
(III/2)(V)	1000
(III/3)(V)	1000
(II/2)(KV)	8
(III/2)(KV)	8
(III/3)(KV)	8
(mm ²)	0.2
(mm ²)	4
(mm ²)	0.2
(mm ²)	4
(mm ²) , ,	0.25
(mm ²) , ,	4
(mm ²) , ,	0.25
(mm ²) , ,	4
² (mm ²) , ,	0.5
² (mm ²) , ,	1
Width)(mm) (Blade thickness x	0.6x3.5
	13

-UL

(UL/CUL Group B)(V)	600
(UL/CUL Group B)(A)	25
(UL/CUL Group C)(V)	600



(UL/CUL Group C)(A)		25
(UL/CUL Group D)(V)		600
(UL/CUL Group D)(A)		5
UL/CUL	AWG	24
UL/CUL	AWG	10
UL/CUL	AWG	24
UL/CUL	AWG	10

&

가	(YES or NO)	YES
		120
		-40

UL

(Group B)(AWG)		24~10
(Group B)(V)		600
(Group B)(A)		25
(Group C)(AWG)		24~10
(Group C)(V)		600
(Group C)(A)		25
(Group D)(AWG)		24~10
(Group D)(V)		600
(Group D)(A)		5

CUL

(Group B)(AWG)		24~10
(Group B)(V)		600
(Group B)(A)		25
(Group C)(AWG)		24~10
(Group C)(V)		600
(Group C)(A)		25
(Group D)(AWG)		24~10
(Group D)(V)		600
(Group D)(A)		5

VDE

(mm ²)	0.2~4
(V)	1000
(A)	32

