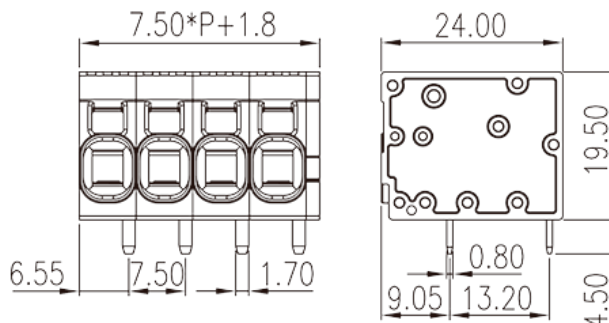


# 0177-86XX

PCB > PCB

:2026-05-14 :V1



Pitch : 7.50mm, 600V, 36A

PCB Terminal Blocks, Push-in Design	
PCB Terminal Blocks	
(mm)	7.50
	Black (default)
	Push in design
	Without
	Wave soldering
(mm)	$7.50 \times (P-1) + 9.3$
(mm)	24
(mm)	19.5
( ) x ( ) (mm)	0.8x1.7
PCB (mm)	2.3
( )	02P~16P
	Single level
	PA
	I



UL 94	V0
	500M at DC 500V
	COPPER ALLOY
	Tin PLATED

**-IEC**

(V)	1000
(A)	41
(II/2)(V)	1000
(III/2)(V)	1000
(III/3)(V)	1000
(II/2)(KV)	8
(III/2)(KV)	8
(III/3)(KV)	8
(mm <sup>2</sup> )	0.2
(mm <sup>2</sup> )	10
(mm <sup>2</sup> )	0.2
(mm <sup>2</sup> )	6
(mm <sup>2</sup> ) , ,	0.25
(mm <sup>2</sup> ) , ,	6
(mm <sup>2</sup> ) , ,	0.25
(mm <sup>2</sup> ) , ,	4
<sup>2</sup> (mm <sup>2</sup> ) , ,	0.25
<sup>2</sup> (mm <sup>2</sup> ) , ,	1.5
Width)(mm) (Blade thickness x	0.6x3.5
	15

**-UL**

(UL/CUL Group B)(V)	600
(UL/CUL Group B)(A)	36
(UL/CUL Group C)(V)	600

(UL/CUL Group C)(A)		36
(UL/CUL Group D)(V)		600
(UL/CUL Group D)(A)		5
UL/CUL	AWG	24
UL/CUL	AWG	8
UL/CUL	AWG	24
UL/CUL	AWG	8

&

가	(YES or NO)	YES
		120
		-40

## UL

(Group B)(AWG)		24~8
(Group B)(V)		600
(Group B)(A)		36
(Group C)(AWG)		24~8
(Group C)(V)		600
(Group C)(A)		36
(Group D)(AWG)		24~8
(Group D)(V)		600
(Group D)(A)		5

## CUL

(Group B)(AWG)		24~8
(Group B)(V)		600
(Group B)(A)		36
(Group C)(AWG)		24~8
(Group C)(V)		600
(Group C)(A)		36
(Group D)(AWG)		24~8
(Group D)(V)		600
(Group D)(A)		5

## VDE

(mm <sup>2</sup> )	0.2~6
(V)	1000
(A)	41

